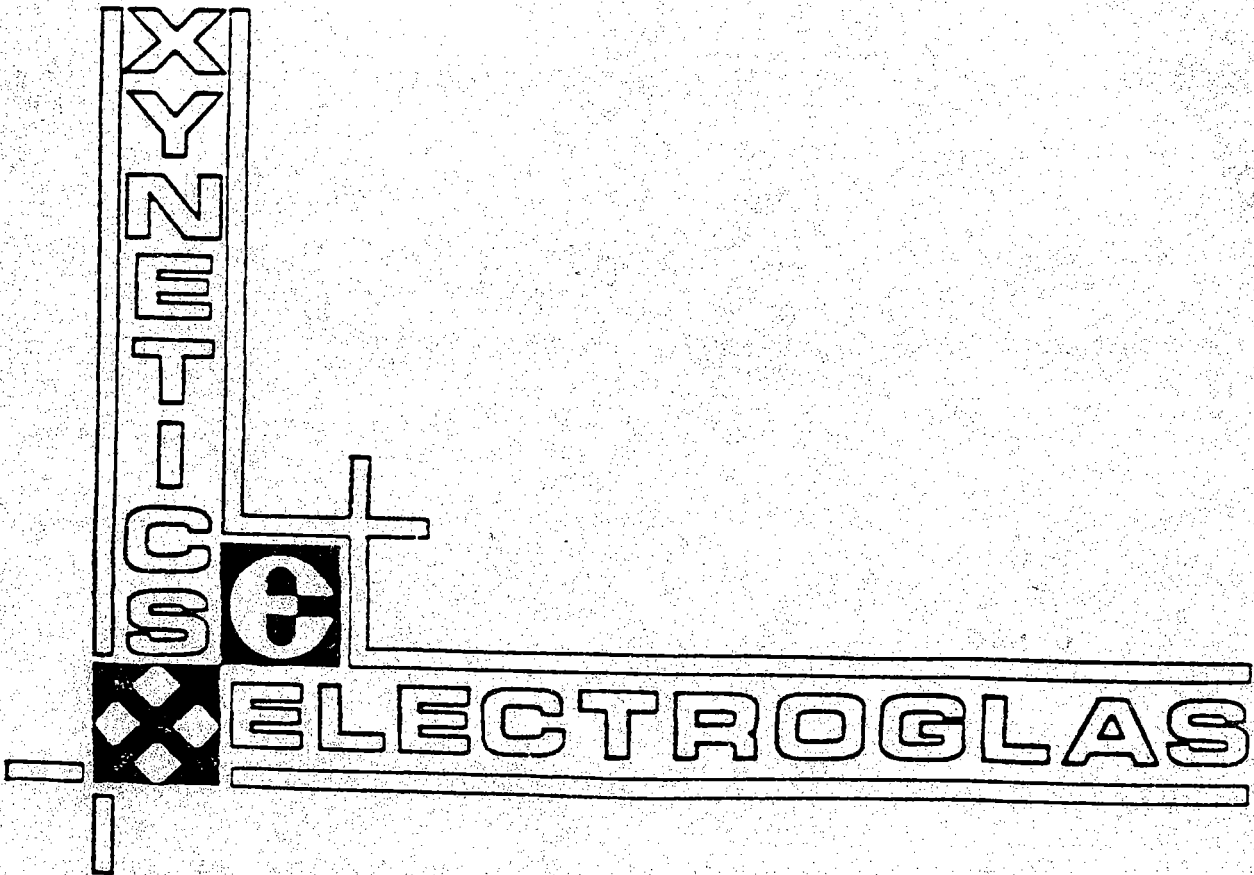


OPTION-D, IEEE 488 INTERFACE

Reference Drawing Manual

Doc. No. A-102920



D87090478

OPTION-D, IEEE 488 INTERFACE

Reference Drawing Manual

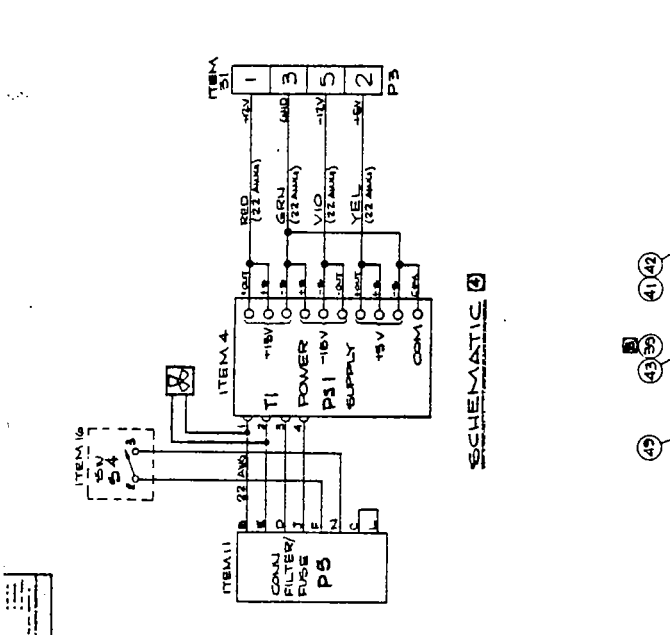
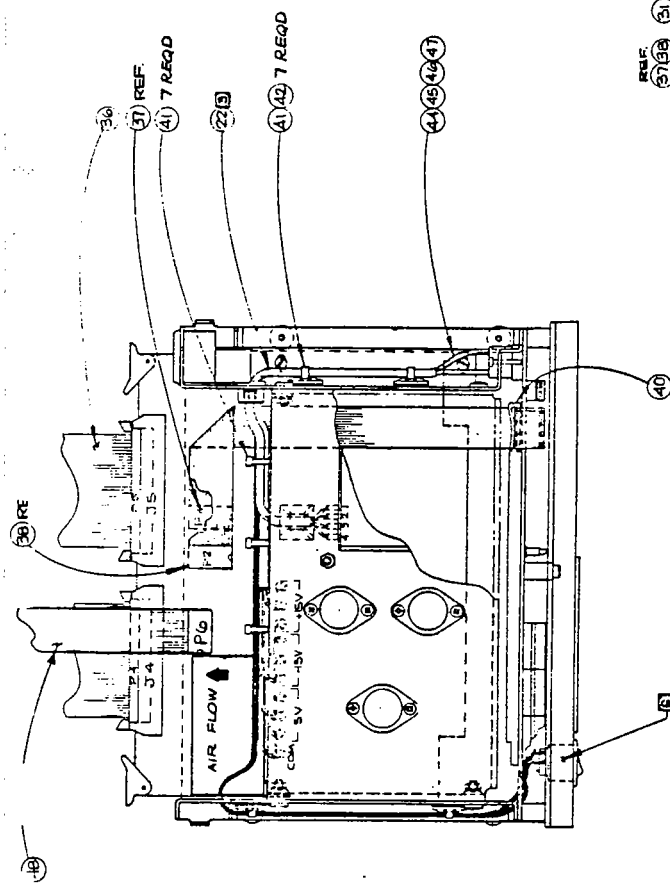
Doc. No. A-102920

REVISION	ECO NO.	DATE	BY	APPROVED
A	EDR-14914	13/81		M. Turner
B	15411	21/81		
Update	-----	3/82	Suarez	S. Moore
Update	-----	11/83	Suarez	
Update	-----	10/84	Suarez	
UPDATED	—	6-16-86	Florio	

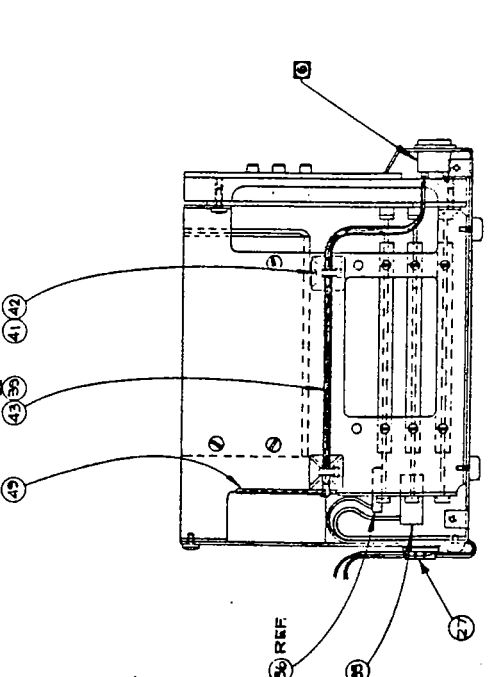
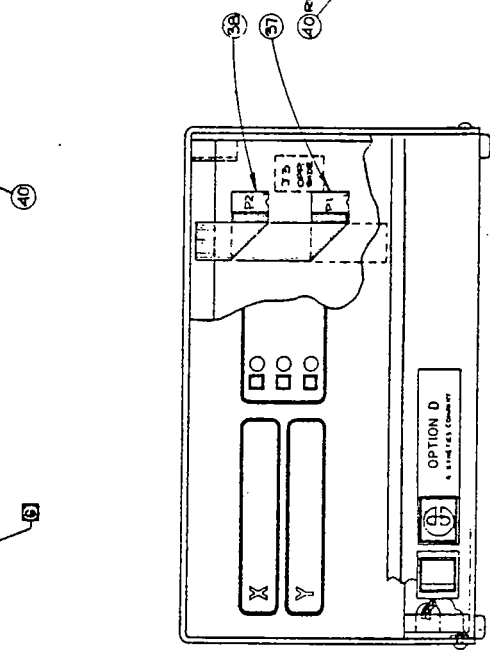
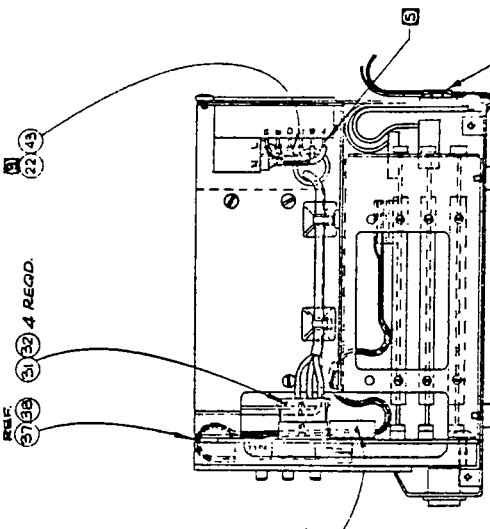
SEP 17 1987
10:15 AM
10/17/87

TABLE OF CONTENTS

DRAWING NO.	TITLE	PAGE
E-102894	Assembly, Option-D IEEE 488 Interface & P/L-----	1
D-100004	Assembly, Single Axis Pulse Control & P/L-----	2
J-102708	Schematic, Probe Controller Interface-----	3
D-102710	Assembly, Prober Controller & P/L-----	4
D-102738	Schematic, Mother Board, Option-D-----	5
D-102740	Assembly, Mother Board, Option-D & P/L-----	6
C-102879	Cable, Mother Board to Controller Interface & P/L--	7
C-102890	Cable Tester, Connerctor to Prober Interface & P/L-----	8
D-102891	Cable, Option-D to 1034X Prober & P/L-----	9
B-102912	Interface Diagram, IEEE 488 I/F-----	10
C-102914	Cable Assembly, IEEE 488 Interface & P/L-----	11
D-112958	Assembly, CPU Option-D, IEEE 488 Interface-----	12



SCHEMATIC 2



NOTES: (CONTINUED FROM SHEET 1 OF 2)
 1. PAIR GROUPS OF WIRES GOING TO CONN. 1 TO 10 MUST BE DERIVED FROM COMMON JUMPER FROM PINS 2, 4 AND 13 ON ITEM 4 POWER SUPPLY TRANSFORMER.
 2. SEAL ALL TERMINALS ON ITEM 1, CONN. FILTER WITH ITEM 29, ADHESIVE.
 3. CHECK PART NO THIS SIDE UP.

KYNETICS - ELECTROGLAS	
ASSEMBLY	OPTION-D
(IEEE 488.1/F)	
P. 102894 F	

ELECTROGLAS BILL OF MATERIALS

102894 REV: F OPT D ASSY,IEEE 488 INTERFACE ECO# 20978 05/04/87

ITEM	QTY	UM	PART NUMBER	DESCRIPTION	REFERENCE DES
1	1.0	EA	102828	COVER	
2	1.0	EA	102754	RIGHT SIDE CHASSIS	
3	6.0	EA	025902-001	GUIDE CARD #11633-2 SCANBE	
4	1.0	EA	037561-003	PWR SUPPLY #HCAA-60W PWR	
5	6.0	EA	062914	#8 FLT WASHER SM/PAT CAD	
6	6.0	EA	062910	#8 SPLIT LOCKWASHER PLAIN	
7	6.0	EA	062906	8-32 (11/32) HEX NUT CAD	
8	6.0	EA	062817	8-32X 1/4 BINDER/H U-CUT CAD	
9	4.0	EA	062834	8-32X 3/8 BINDER/H U-CUT CAD	
10	1.0	EA	102757	SIDE, TOP LEFT	
11	1.0	EA	016167	CONN FILTER #6J4	
12	4.0	EA	062811	8-32X 1/4 BUTTON HD SOC BLK OX	
13	1.0	EA	102831	FACE PANEL	
14	1.0	EA	102830	SUB PANEL	
15	1.0	EA	102740	PCB ASSY, MOTHER BD-OPTION D	ASSY
16	1.0	EA	049091-003	SWITCH #5201 C&K	
17	1.0	EA	100072-019	PLATE ID	
18	4.0	EA	062816	8-32X 1/4 FLAT HD CAD	
19	1.0	EA	102833	MTG BRACKET	
20	1.0	EA	102829	BASE	
21	1.0	EA	102834	SIDE, BOTTEM LEFT	
22	1.0	FT	054780	TUBING 3/16 SHRINK BLK	
23	1.0	EA	012021-002	BD#M68MM12A MICRO IND MODULE	
24	1.0	EA	112958	PCB ASSY, CPU, GPIB, OPT D, I/F	ASSY
25	1.0	EA	102710	PCB ASSY, PROBER CTRL INTFC	ASSY
26	6.0	EA	062846	8-32X 1/2 BINDER HD CAD	
27	2.0	EA	015781-003	CLAMP #FCM3-A-14 PANDUIT	
28	1.0	EA	102755	BACK PANEL	
29	.0	OZ	065280	ADH, SILICONE INSUL RTV 108	
30	1.0	EA	025540	GROMMET SB-750-10 PLASTICS	
31	1.0	EA	016306-001	CONN 10CKT .195X.36CTR SKT HSG	
32	4.0	EA	019793-002	CONN .084SKT 18-24AWG TIN PLTG	
33	4.0	EA	062640	6-32X 3/8 BUTTON SOC C/S BLK	
34	4.0	EA	012390	BUMPER REC 207 RUSSEL IND	
35	1.0	EA	102914-001	CABLE ASSY, IEEE 488 I/F	ASSY
36	1.0	EA	102891	CABLE ASSY, OPT D TO PROBER	ASSY
37	1.0	EA	102879-101	CABLE ASSY, MB TO CONT I/F	ASSY
38	1.0	EA	102879-102	CABLE ASSY, MB TO CONT I/F	ASSY
39	1.0	FT	054860	TUBING 3/32 SHRINK BLK HI FLEX	

1B

ELECTROGLAS BILL OF MATERIALS

REV: F OPT D ASSY, IEE 488 INTERFACE

PAGE 2

102894 REV: F OPT D ASSY, IEE 488 INTERFACE ECO# 20978 05/04/87

REFERENCE DES

DESCRIPTION

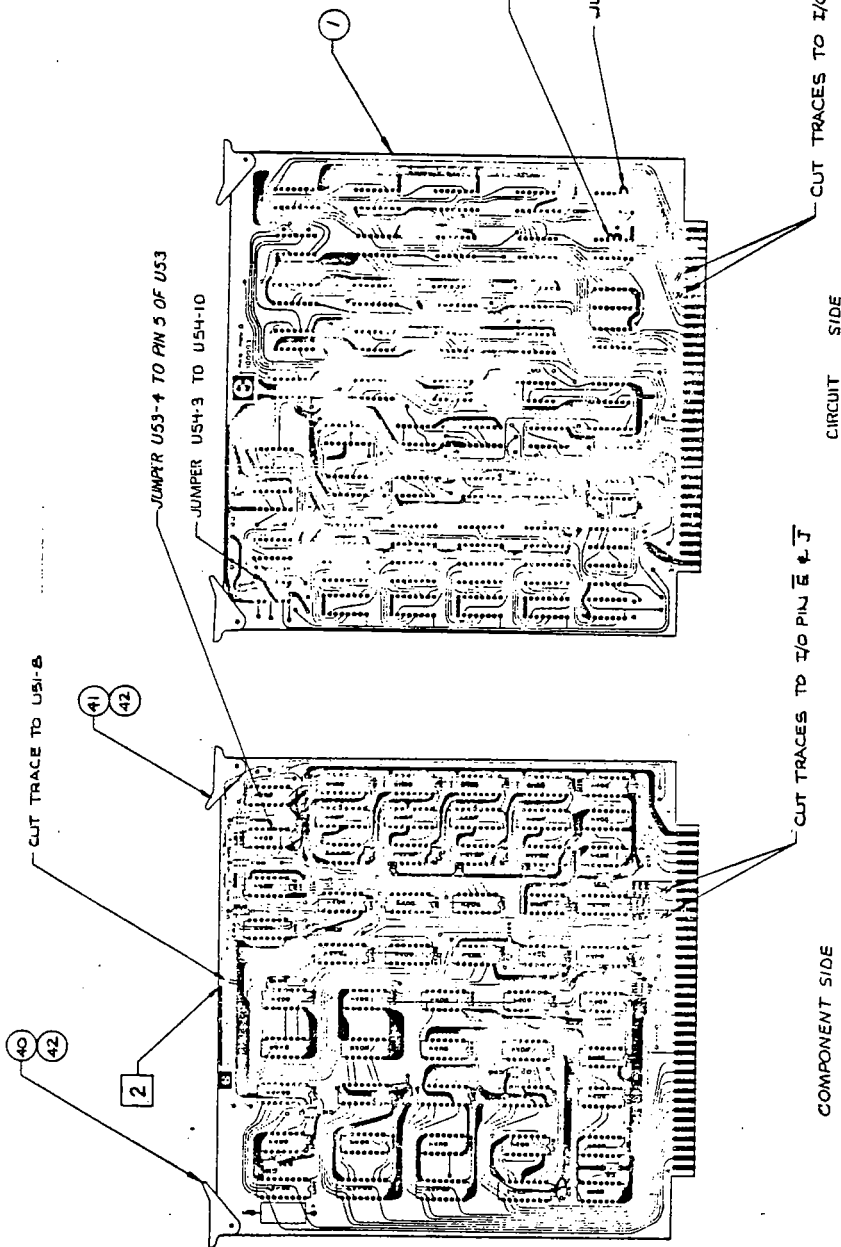
PART NUMBER

QTY

ITEM

ITEM	QTY	UM	PART NUMBER	DESCRIPTION	REFERENCE DES
40	1.0	EA	015711	CLAMP 3M 3484-1000, CABLE	
41	7.0	EA	048440	STA-TIE SST-1M SM	
42	7.0	EA	033169-001	MNT-MINI ADHS.#ABMM-A PANDUIT	
43	1.0	FT	060360	WIRE 22GA BLK	
44	1.0	FT	060370	WIRE 22GA GRN	
45	1.0	FT	060374	WIRE 22GA VIO	
46	1.0	FT	060400	WIRE, 22GA, RED/ORNG	
47	1.0	FT	060402	22 GA WIRE, PVC, 19 STRANDED	
48	1.0	EA	102890	CABLE TESTER ASSY	ASSY
49	.3	FT	065745	WEAR STRIP #40-101,NYLATRON	
50	1.0	EA	102892	MANUAL,OPTION D ON-LINE CTRLR	DOCUMENT
51	1.0	EA	102940	LABEL	
52	1.0	EA	025795	GUARD 5508 PAMOTOR FINGER	
53	1.0	EA	022040	FAN 8500C, PAMOTOR	
54	2.0	EA	062666	6-32X 1/2 BINDER/H U-CUT CAD	
55	6.0	EA	062733	6-32X 5/16 HEX NUT SM/PAT CAD	
56	6.0	EA	062742	#6 MED SPLIT LOCKWASHER CAD	
57	4.0	EA	062644	6-32X 3/8 BINDER/H U-CUT CAD	
58	1.0	EA	114423-001	BRACKET FAN	
59	1.0	EA	020058-003	CORD #17501 BELDEN	
60	1.0	EA	102920	MNL,OPT D IEE 488 I/F-REF DWG	DOCUMENT

REV	DATE	BY	CHKD	APP'D
K	15155			
L	15667			
M	19135			
N	19135			
P	19866			
PART NO. 1000004				
DATE 11/11/85				



COMPONENT SIDE

CIRCUIT SIDE

-002 METRIC ASSY

- NOTES: UNLESS OTHERWISE SPECIFIED;
1. MARK REVISION LETTER IN SPACE PROVIDED WITH IN LABEL GROUP AND APPLY PROTECTIVE COATING PER ELECTROGLAS PROCEDURE.
 2. MARK WITH APPLICABLE ASSY DASH NO.

SEE SEPARATE PARTS LIST

102715	234X								
ELECTROGLAS		PCB ASSEMBLY		SINGLE AXIS		PULSE CONTROL		0100004 2221 P	
XNYNETICS		ELECTROGLAS		PCB ASSEMBLY		SINGLE AXIS		PULSE CONTROL	

2A

ELECTROGLAS BILL OF MATERIALS

REPORT DATE: 08/20/85

PAGE 1

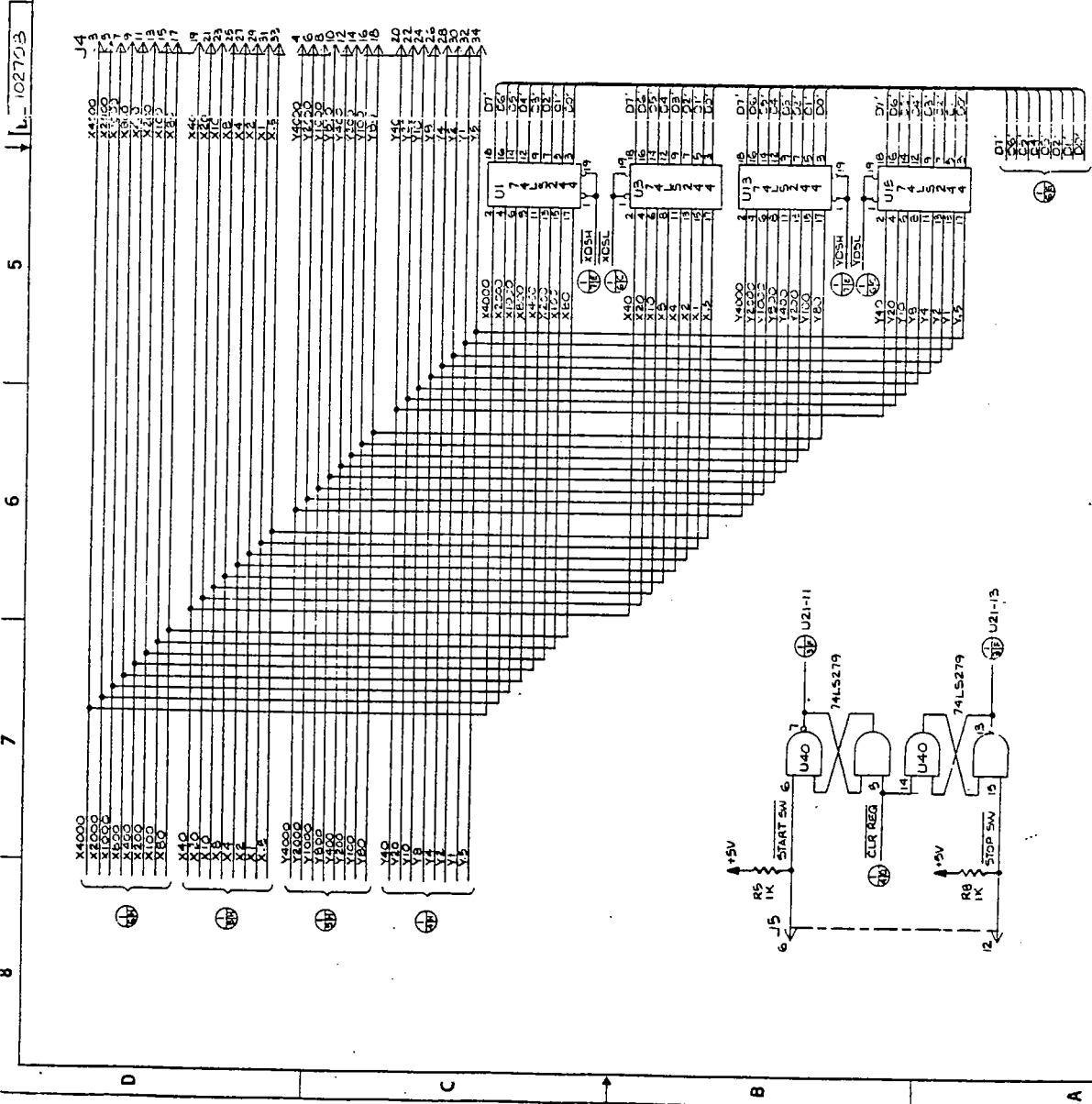
ECO# 19866 08/19/85

ITEM	QTY	REV:	UM	PART NO.	DESCRIPTION	REFERENCE DES
100004-001		P			PCB ASSY,SGL AXIS PULSE CTRL	
1	1.0		EA	100003	PCB FAB,SINGLE AXIS PULSE CTRL	
2	.0		EA	100001	SCHEM,SINGLE AXIS PULSE CTRL	
6	1.0		EA	014281	CAP ALUM AX 150MF 16V	C1
7	17.0		EA	013212	CAP CER RDL .1MF 50V Z5U	C2-18
8	3.0		EA	012760	CAP CER RDL .001MF 1000V Z5F	C19-21
12	3.0		EA	031158	LIGHTSENSOR MV50,MONSANTO	CR1,2,3
16	4.0		EA	027865	IC 8200, NATL	U1,2,4,17
17	12.0		EA	028242	IC 74LS00 NAT'L 2 INPUT	U3,9,10,15
20	11.0		EA	028242-002	IC 74LS02 NAT'L 2 INPUT	U16,27,35
23	2.0		EA	028242-076	IC 74LS76 NAT'L JK DUAL	U37,45
24	5.0		EA	028242-193	IC 74LS193 NAT'L BINARY COUNT	U52-54
26	8.0		EA	028242-192	IC 74LS192N NAT'L COUNTER	U5,8,12,14
28	4.0		EA	028242-083	IC 74LS83 NAT'L 4 BIT	U25,26,32
29	4.0		EA	028242-195	IC 74LS195 NAT'L SHIFT REG	U34,36,42
30	2.0		EA	028242-030	IC 74LS30 NAT'L NAND GATE	U51
31	1.0		EA	028242-010	IC 74LS10 NAT'L 3 INPUT NAND	U6,46
32	1.0		EA	028218	IC 7402 FAIRCHILD	U7,18,28
35	7.0		EA	042140	RES CC 5.1 K 5% 1/4W	U38,48
36	3.0		EA	040800	RES CC 360.0 5% 1/4W	U11,13,21
40	1.0		EA	021650	EJECTOR S-208 SCANBE CIR. CARD	U23,31,33
41	1.0		EA	102677-031	CARD EJECTOR	U41,43
42	2.0		EA	036262	PIN PCB EJECT MT 3/32D 1/4L STL	U19,29

ELECTROGLAS BILL OF MATERIALS

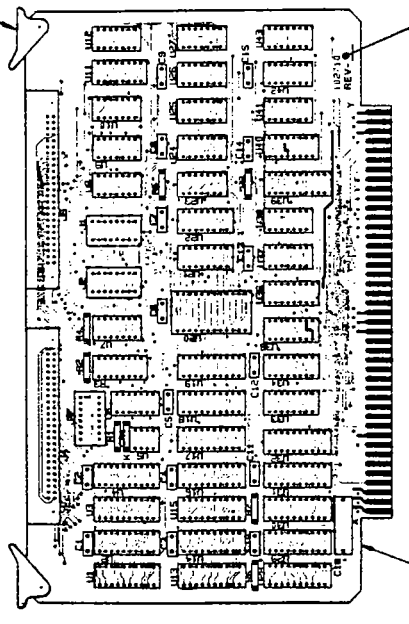
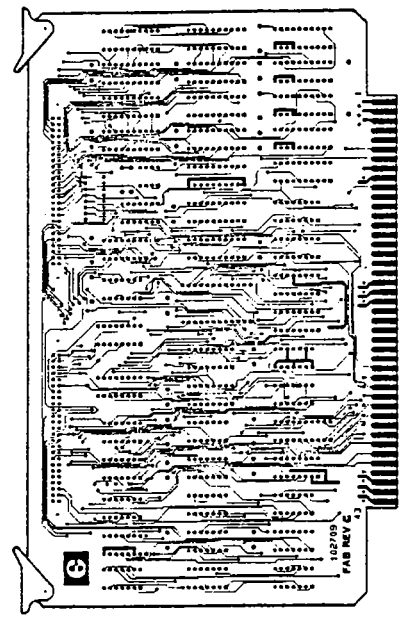
100004-002 REV: P PCB ASSY,SGL AXIS PULSE CTRL

ITEM	QTY	UM	PART NO.	DESCRIPTION	REFERENCE DES
1	1.0	EA	100003	PCB FAB,SINGLE AXIS PULSE CTRL	
2	.0	EA	100001	SCHEM,SINGLE AXIS PULSE CTRL	
6	1.0	EA	014281	CAP ALUM AX 150MF 16V	C1
7	17.0	EA	013212	CAP CER RDL .1MF 50V Z5U	C2-18
8	3.0	EA	012760	CAP CER RDL .001MF 1000V Z5F	C19-21
12	3.0	EA	031158	LIGHTSENSOR MV50,MONSANTO	CR1,2,3
16	4.0	EA	027865	IC 8200, NATL	U1,2,4,17
17	12.0	EA	028242	IC 74LS00 NAT'L 2 INPUT	U3,9,10,15
20	11.0	EA	028242-002	IC 74LS02 NAT'L 2 INPUT	U16,27,35
23	2.0	EA	028242-076	IC 74LS76 NAT'L JK DUAL	U37,45
24	5.0	EA	028242-193	IC 74LS193 NAT'L BINARY COUNT	U52-54
26	8.0	EA	028242-192	IC 74LS192N NAT'L COUNTER	U5,8,12,14
28	4.0	EA	028242-083	IC 74LS83 NAT'L 4 BIT	U25,26,32
29	4.0	EA	028242-195	IC 74LS195 NAT'L SHIFT REG	U34,36,42
30	2.0	EA	028242-030	IC 74LS30 NAT'L NAND GATE	U51
31	1.0	EA	028242-010	IC 74LS10 NAT'L 3 INPUT NAND	U6,46
32	1.0	EA	028218	IC 7402 FAIRCHILD	U7,18,28
35	7.0	EA	042140	RES CC 5.1 K 5% 1/4W	U38,48
36	3.0	EA	040800	RES CC 360.0 5% 1/4W	U11,13,21
40	1.0	EA	021650	EJECTOR S-208 SCANBE CIR. CARD	U23,31,33
41	1.0	EA	102677-031	CARD EJECTOR	U41,43
42	2.0	EA	036262	PIN PCB EJEC MT 3/32D 1/4L STL	U19,29



REV	DATE	APPROVED	102710
D	15757	GC	7-10-81
E	16656	CV	8/16/81
F	ECO 17504	RK	3/9/83
H	PER ECO 17529	MS	7/7/83

1	2	3	4	5	6	7	8
---	---	---	---	---	---	---	---



102894	1034A		
--------	-------	--	--

NOTES: UNLESS OTHERWISE SPECIFIED:
 1 MARK REVISIONS TO THE PARTS LIST
 PROVIDED WITH IN LABEL GROUP
 AND APPLY PROTECTIVE COATING
 PER ELECTROGLAS PROCEDURE.

SEE SEPARATE PARTS LIST

ELECTROGLAS		XYNETICS — ELECTROGLAS	
102894	1034A	35-0	7-84
PCB ASSEMBLY		PCB ASSEMBLY	
PROBER CONTROLLER		PROBER CONTROLLER	
I/F		I/F	
D 102710		H	
1/1		1-1-1	

102710

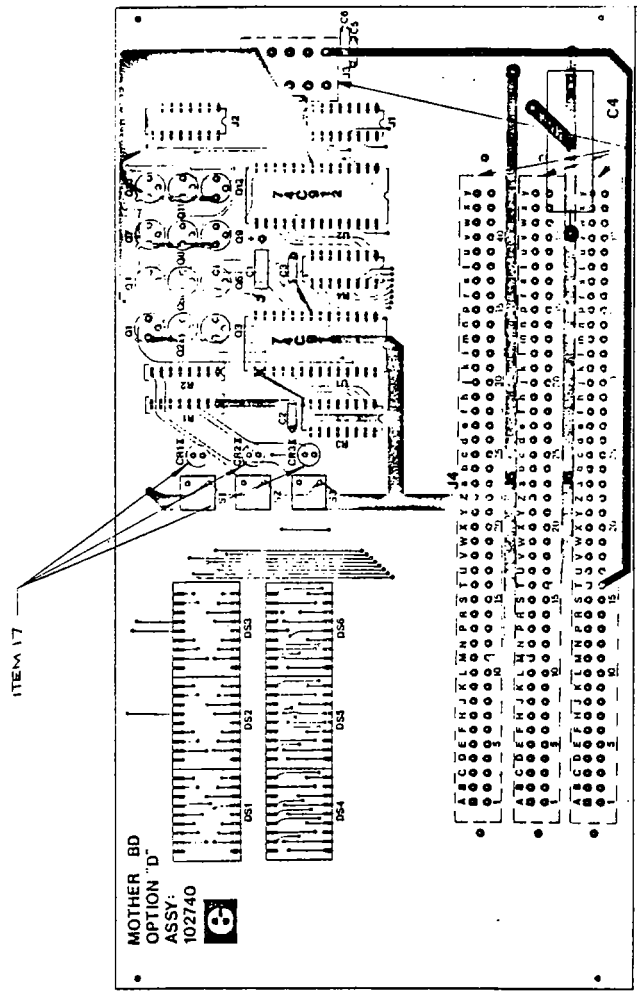
REV: H PCB ASSY, PROBER CONTR. I/F

ECOH# 17529 03/16/83

XYNETICS/ELECTROGLAS BILL OF MATERIALS

ITEM	QTY	UM	PART NO.	DESCRIPTION	REFERENCE DES
1	.0	EA	102708	SCHEMATIC, PROBER CONTROLLER	REF
2	1.0	EA	102709	PC BOARD	C1-15
5	15.0	EA	013212	CAP CER RDL .1MF 50V Z5U	C16
6	1.0	EA	014039	CAP ALUM AX 50MF 16V	CR1
9	1.0	EA	021493	DIODE 1N4001, MOTOROLA	
10	2.0	EA	021650	EJECTOR S-208 SCANBE CIR. CARD	
11	2.0	EA	036262	PIN-MTG 3/32 X 1/4	U24
12	1.0	EA	027862	IC 7400, FAIRCHILD	U23,37
13	2.0	EA	028242-125	IC 74LS125 NATIONAL	U6,42
14	2.0	EA	027974	IC QUAD LINE RCVR RS232C 1489A	U5
15	1.0	EA	028151	IC 75451 NAT'L	U26,41
16	2.0	EA	028218	IC 7402 FAIRCHILD	U6,12,25
17	3.0	EA	028219	IC 7404 FAIRCHILD	U7,10
18	2.0	EA	028220	IC 7403 NAT'L	U27
19	1.0	EA	028242-086	IC 74LS86 NAT'L XOR QUAD	U43
20	1.0	EA	028242-107	IC 74LS107	U20
21	1.0	EA	028242-154	IC 74LS154	U1,3,18
22	7.0	EA	028242-244	IC 74LS244 NATIONAL	U19,13,15
23	3.0	EA	028242-279	IC 74LS279	U32
24	5.0	EA	028242-374	IC 74LS374N NATIONAL	U35,36,40
25	4.0	EA	028242-569	IC 74LS569 NAT'L	U2,4,14
26	2.0	EA	028267-002	IC 8T26 SIGNETICS	U16,17
27	1.0	EA	028290	IC 7414 FAIRCHILD	U28-31
28	1.0	EA	028242-174	IC 74LS174 NAT'L HEX DRIVER	U33,34
29	1.0	EA	028242-138	IC 74LS138 3T08 DECODER	U9
30	1.0	EA	711781	PROM M/F IC-PAL14L4	U22
31	1.0	EA	711797	PROM M/F IC-74S288	U11
32	2.0	EA	019065-008	CONN HDR 50PIN .100CT RTANG	U39
33	3.0	EA	046335	SOC 516-AG11D AUGAT	U21
35	5.0	EA	041220	RES CC 1.0 K 5% 1/4W	J4,5
36	1.0	EA	041374	RES, PAK, 898-1-R1.5K, BECK	J1,2,6
37	2.0	EA	041140	RES CC 680.0 5% 1/4W	R1,5-8
38	1.0	EA	027894-001	IC 74C14 NAT'L	R3
					R2,4
					U38

1	2	3	4	5	6	7	8
D RELEASED PER EC 14314 E ECO 15595 F ECO 19308 PWS 31185 (1)							



• MOTHER BD
 OPTION "D"
 ASSY:
 102740

- NOTES: UNLESS OTHERWISE SPECIFIED;
1. MARK REVISION LETTER IN SPACE PROVIDED WITH IN LABEL GROUP TO APPLY PROTECTIVE COATING PER ELECTROGLAS PROCEDURE.
 2. MOUNT THE POLYIMIDES COMPONENTS ON PWB SIDE; 33, 34, 35 & 36.

SEE SEPARATE PARTS LIST 102740

ELECTROGLAS		KYNETICS — ELECTROGLAS	
PCB ASSEMBLY	MOTHER BD	OPTION 'D'	F
D	102740	NONE	1

6

ELECTROGLAS BILL OF MATERIALS

102740 REV: F PCB ASSY MOTHER ECO# 19308 03/12/85

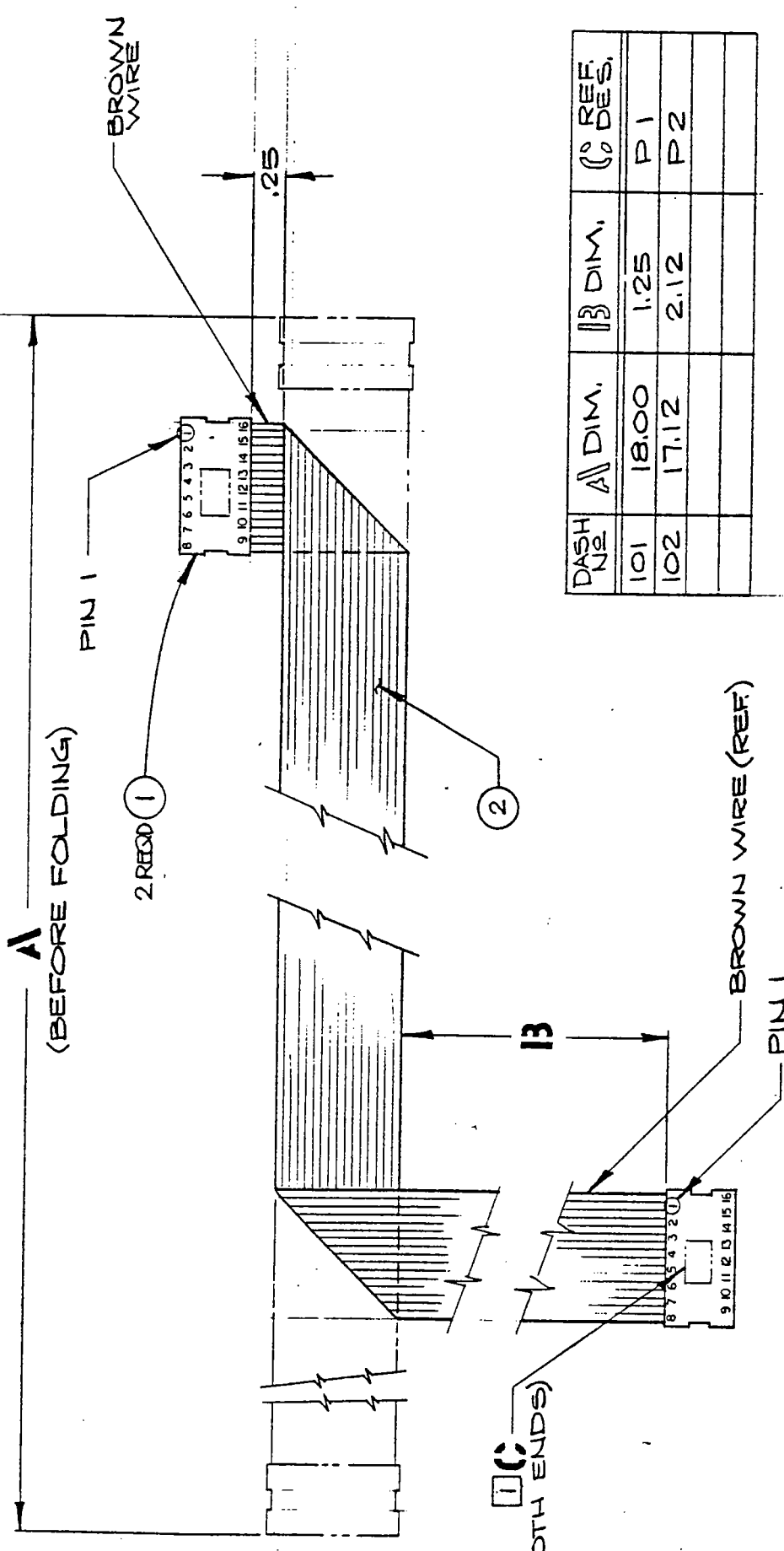
ITEM	QTY	UM	PART NO.	DESCRIPTION	REFERENCE DES
1	1.0	EA	102739	PC BOARD	
6	1.0	EA	013975	CAP TANT AX 22MF 15V	C1
7	4.0	EA	013212	CAP CER RDL .1MF 50V Z5U	C2,3,5,6
8	1.0	EA	014764-007	CAP ALUM AX 2200MF 6V	C4
12	3.0	EA	031148	LED HLMP-1301 LICON	CR1-3
17	3.0	EA	031146	LED PACKET 80-390003 LICON	
20	6.0	EA	031152	LED DIGITAL DISPLAY MAN6640	DS1-6
22	6.0	EA	046033-004	SKT IC 18PIN .1X.6CT .165H PCB	XDS1-6
25	2.0	EA	046335	SKT IC 16PIN .X.3CT .180H PCB	J1,2
26	1.0	EA	016306	CONN HDR 10PIN.084 .195X.36CTR	J3
27	3.0	EA	016292	CONN PCB 43/86.156CTR DIP TAIL	J4-6
31	12.0	EA	053682	TRANSISTOR 2N2222A	Q1-12
39	1.0	EA	040722	RES NW 330.0 2%	R1
40	1.0	EA	041423	RES PAK,764-1-R1K,BECK	R2
41	2.0	EA	039683	RES NET 8EA 22 OHM 2% 1/4W 16P	R3,4
45	1.0	EA	048906-001	SWITCH 39-13502 LICON	S1
46	2.0	EA	048906-002	SWITCH 39-12502 LICON	S2,3
49	2.0	EA	027851-001	IC #74C912 FAIRCHILD	U1,2
50	.0	EA	102738	SCHEMATIC	REF

GA

REV.	ED. N.	DA.	BY
A	REL 14914	2/4/81	SLD MDT
B	17937	8/15/83	JTL MS*

C-102879

PROPERTY OF SYNETICS - ELECTROGLAS. IT IS TO BE used as described or distributed in any other form without the written consent of SYNETICS-ELECTROGLAS.



DASH No	A DIM.	B DIM.	C DES.
101	18.00	1.25	P1
102	17.12	2.12	P2

SYNETICS - ELECTROGLAS	
DATE: 2/81	BY: SLD
REVISED: 2/81	BY: MDT
DATE: 4/81	BY: JTL
DATE: 2/1	BY: 8183
DATE: 2/1	BY: 8183
DATE: 2/1	BY: 8183

SYNETICS - ELECTROGLAS
CABLE, MOTHER BOARD TO CONTROLLER I/F
C 102879 B

NOTES:
 1 APPLY REF. DESIGNATION APPROX. AS SHOWN, BOTH ENDS.

102879-101 REV: B CABLE ASSY, MB TO CONT I/F ECO# 17937 08/15/83

ITEM	QTY	UM	PART NO.	DESCRIPTION	REFERENCE DES
1	2.0	EA	019065-017	CONN DIP IDC 16PIN.100X.300CTR	
2	1.7	FT	012542-002	CA FL 16CNDCT 28AWG .050"CTRS	

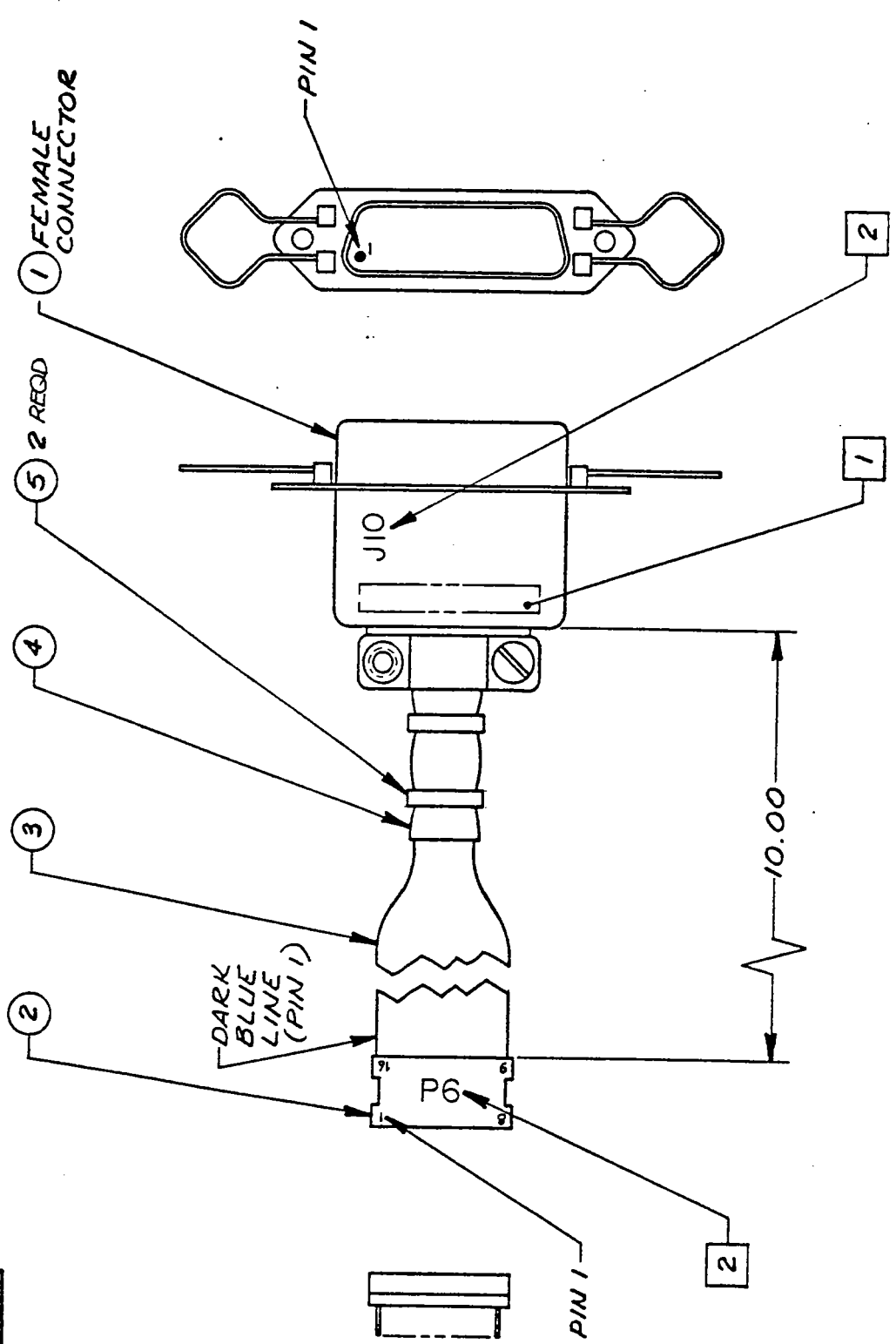
102879-102 REV: B CABLE ASSY, MB TO CONT I/F

ECO# 17937 08/15/83

ITEM	QTY	UM	PART NO.	DESCRIPTION	REFERENCE DES
1	2.0	EA	019065-017	CONN DIP IDC 16PIN.100X.300CTR	
2	1.6	FT	012542-002	CA FL 16CNDCT 28AWG .050"CTRS	

REV	ECO	BY	A
A	REL PER 145914	24/BI	KLD
B	17987	61583	PHL MK

C-102890



SYNETICS — ELECTROGLAS		DATE	10/86	BY	AK
CABLE TESTER CONNECTOR TO PROBER INTERFACE		REV	1	DATE	10/86
C 102890		REV	1	DATE	10/86
None		REV	1	DATE	10/86
None		REV	1	DATE	10/86

3. FOR WIRE LIST SEE "A" SIZE SHEET
 2 APPLY REFERENCE DESIGNATION APPROXIMATELY WHERE SHOWN.
 1 IDENTIFY WITH PART NUMBER AND REVISION LETTER.
 NOTES, UNLESS OTHERWISE SPECIFIED:

THIS DRAWING IS PROPRIETARY TO SYNETICS — ELECTROGLAS. IT IS NOT TO BE REPRODUCED OR TRANSMITTED IN ANY FORM OR BY ANY MEANS, WITHOUT THE WRITTEN PERMISSION OF SYNETICS — ELECTROGLAS.

WIRE NO.	LOCATION		SIZE	COLOR	FUNCTION	REMARKS
	FROM	TO				
1	P6-16	J10	2.8 AWG			FLAT CABLE
2	-1	-1				
3	-15					
4	-2	-2				
5	-14					
6	-3	-3				
7	-13	-16				
8	-4	-4				
9	-12	-17				
10	-5	-5				
11	-11	-13				
12	-6	-6				
13	-10	-12				
14	-7	-9				
15	-9	-11				
16	P6-8	J10-10	2.8 AWG			

XYNETICS/ELECTROGLAS BILL OF MATERIALS

102890 REV: B CABLE TESTER ASSY ECO# 17937 08/15/83

REFERENCE DES

DESCRIPTION

PART NO.

UM

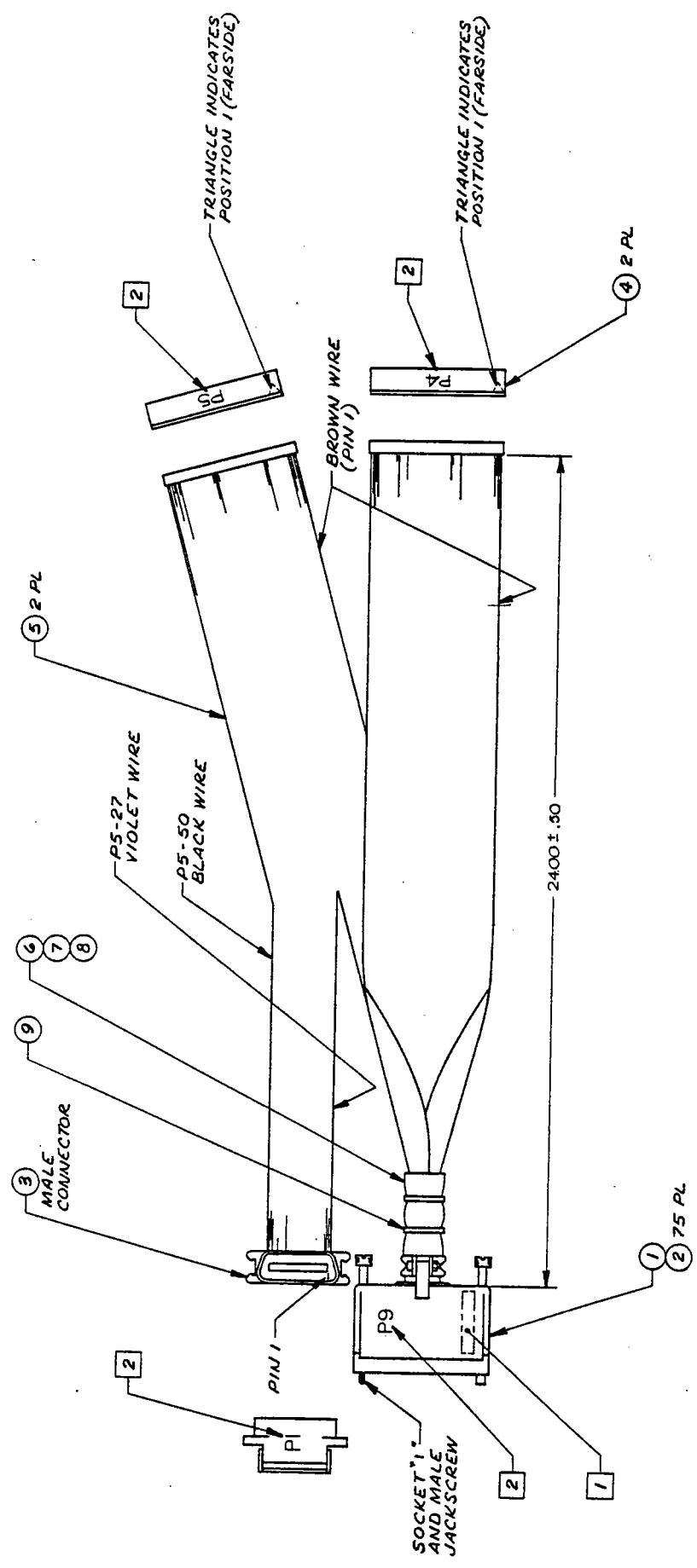
QTY

ITEM

1	EA	016541	CONN. 57-60240 AMPH. 24PIN	J10
2	EA	019065-017	CONN DIP IDC 16PIN.100X.300CTR	P6
3	FT	012542-002	CA FL 16CNDCT 28AWG .050"CTRS	
4	EA	012486	BUSHING,AN3420-6,RUBBER	
5	EA	048467	STA-TIE #PLT2S-C20	

REV	DATE	BY	CHKD
A	REL. PER	EC	1-15-64
B	ECO # 10217		
C	ECO # 16400		
D	ECO # 16274		

102796	OPT D	SEE PL	102891	D
--------	-------	--------	--------	---



SEE SEPARATE BILL OF MATERIALS.

- 3. FOR WIRE LIST SEE 114863.
- 2 APPLY REFERENCE DESIGNATION APPROXIMATELY WHERE SHOWN.
- 1 IDENTIFY WITH PART NUMBER AND REVISION LETTER.

NOTES: UNLESS OTHERWISE SPECIFIED:

XNYNETICS — ELECTROGLAS	
102796	OPT D
SEE PL	
102891	D

REV	DATE	BY	CHKD
A	REL. PER	EC	1-15-64
B	ECO # 10217		
C	ECO # 16400		
D	ECO # 16274		

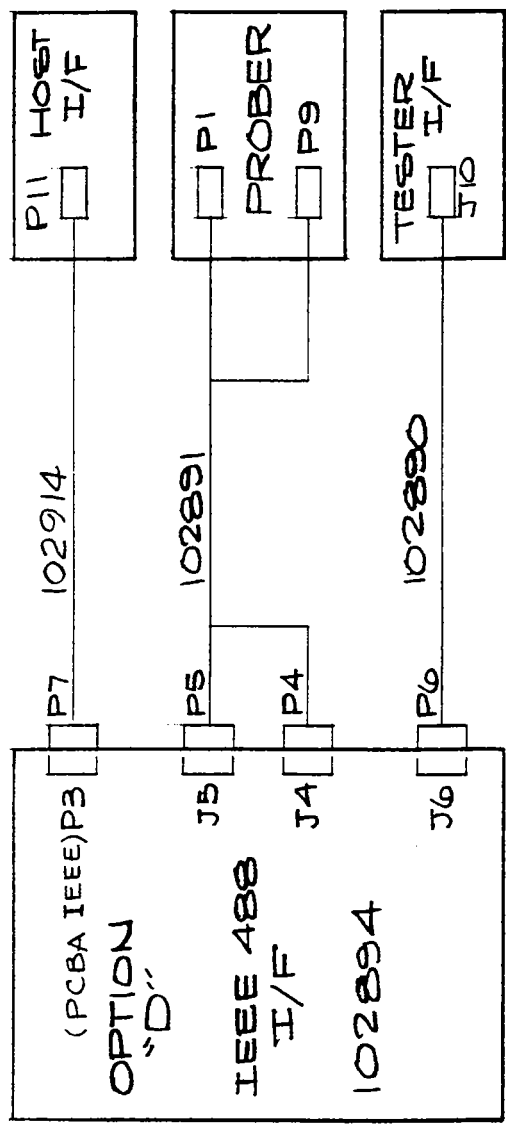
XYNETICS/ELECTROGLAS BILL OF MATERIALS

102891 REV: D CABLE ASSY, OPT D TO PROBER ECO# 18274 02/13/84

ITEM	QTY	UM	PART NO.	DESCRIPTION	REFERENCE DES
1	1.0	EA	017280	CONN. MRAC-75SJTDH8, WINCH.	
2	75.0	EA	017566	CONN. 100-1024S WINCH. CONTACT	
3	1.0	EA	019065-023	CONN RBN M IDC 12/24POS.085CTR	
4	2.0	EA	019065-007	CONN SOC IDC 50CONT .100CT	
5	5.5	FT	012563-001	CABLE 3302-50 3M SCOTCH. COND.	
6	1.0	EA	012494	BUSHING AN3420-16 CABLE	
7	1.0	EA	012492	BUSHING, AN3420-12	
8	1.0	EA	012490	BUSHING, AN3420-10	
9	2.0	EA	048467	STA-TIE #PLT2S-C20	
10	.0	EA	114863	WIRE LIST, CABLE OP TO PROBER	REF

B-102912		
REV.	ECO NO.	DATE
A	REL. 14914	2/25/81
		BY
		MDT

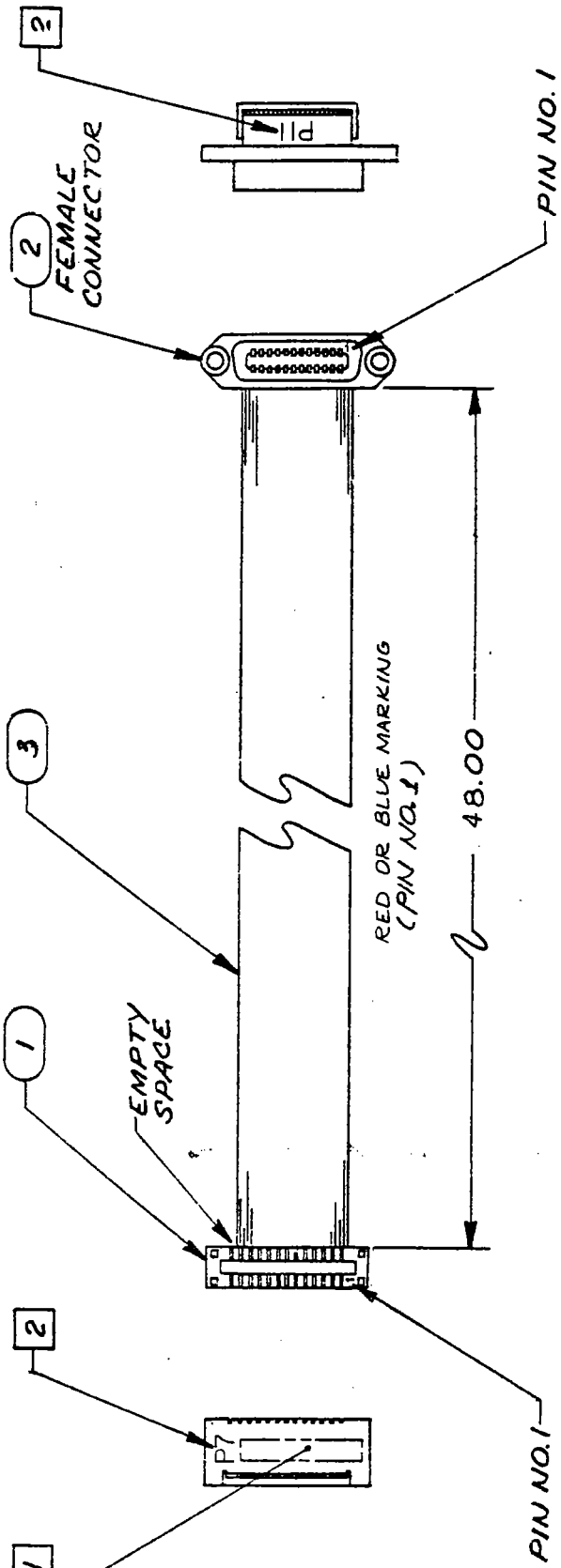
*The information contained herein is proprietary to XYNETICS-ELECTROGLAS. It is not to be used or reproduced or disclosed to any other party in any manner without the prior approval in writing of XYNETICS-ELECTROGLAS.



		XYNETICS — ELECTROGLAS	
NAME: DEREMER CHECKED: R.K. AUSA ENGINEER:	DATE: 2/81 DATE: 2/24/81	TITLE: I/F DIAGRAM OPTION-D IEEE 488 I/F	SIZE: B DRAWING NO: 102912 REV: A
APPROVED: MDT APPROVED:	DATE: 4/81	CODE IDENT. NO.: 51823	SHEET: / of /
UNLESS SPECIFIED: TOLERANCES: FRACTIONAL: ANGLES: DIMENSIONS ARE IN INCHES DIMENSIONS & TOLERANCES ARE FINISH. PER ANSI Y 14.5	102894 1084 X NEXT ASSY: MATERIAL: FINISH:	USED ON:	

The information contained herein is proprietary to XYNETICS. It is not to be disseminated outside the organization without the prior, written permission of XYNETICS-ELECTROGLAS.

REV.	ECO NO.	DATE	BY	APPD.
A	ECO # 1912B	3-17-81	MDT	
B	ECO # 15382	4-23-81	MDT	
C	ECO # 16425	7-28-81	MDT	
D	ECO # 16753	7-28-82	MDT	
E	ECO # 1912B	12-19-88	MDT	



- 2 APPLY REFERENCE DESIGNATION APPROXIMATELY WHERE SHOWN.
- 1 IDENTIFY WITH PART NO. AND REVISION LEVEL.

NOTES:

-001	AS SHOWN	102796
PART VERSION	DESCRIPTION	NEXT ASSY
PART NUMBER VERSION C HART		

SEE SEPARATE PART LIST

		XYNETICS — ELECTROGLAS	
PART NO. 102796	REV. OPT 0	DATE 4/81	BY MDT
SEE P/L		TITLE CABLE ASSY, IEEE 488 I/F	PART NO. 102914
MATERIALS		SCALE 1/1	COR. DATE 8/83
FINISH		QUANTITY 1-1	REV. E

ELECTROGLAS BILL OF MATERIALS

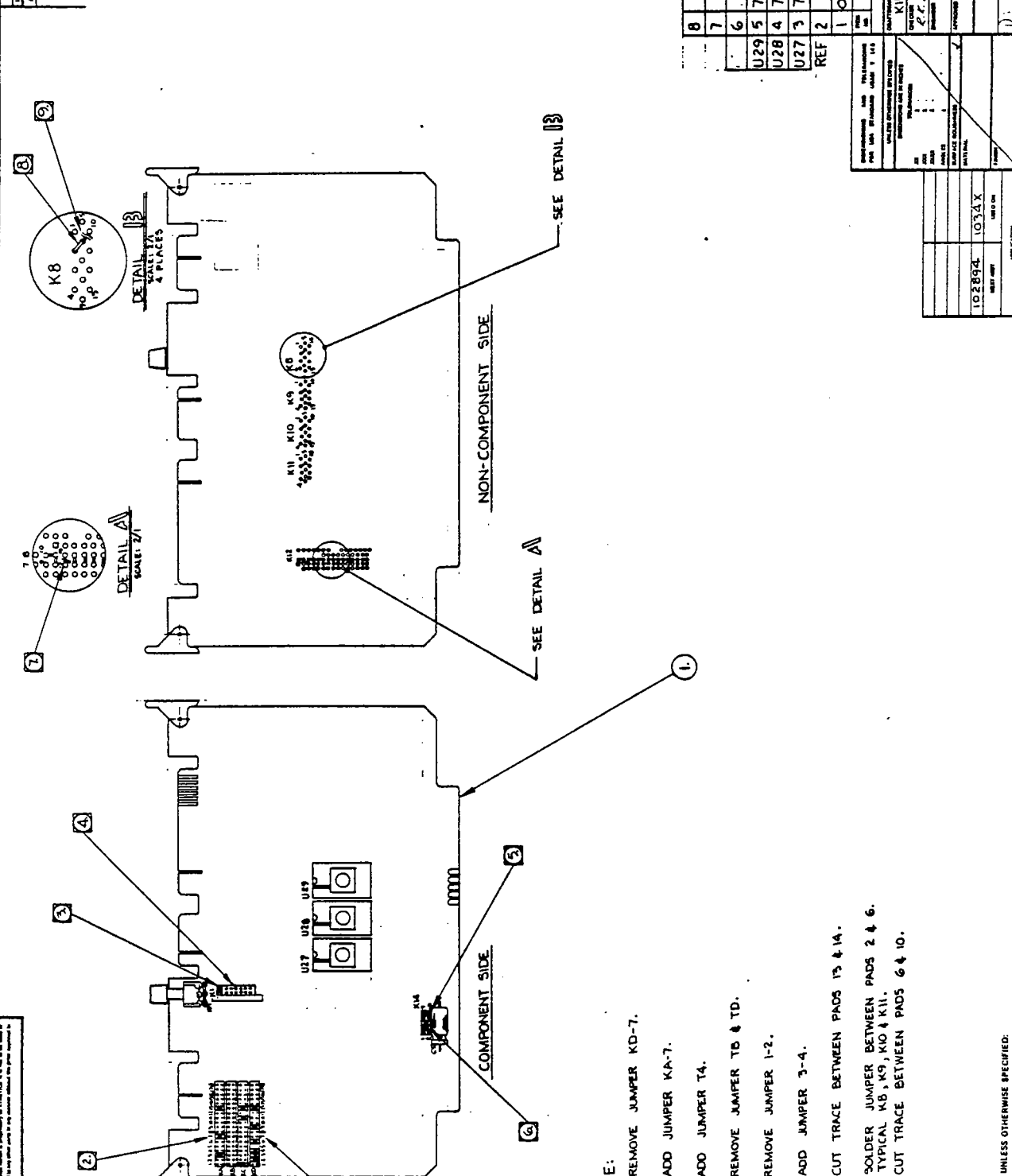
102914-001 REV: E CABLE ASSY, IEEE 488 I/F ECO# 19128 12/13/84

ITEM QTY UM PART NO. DESCRIPTION REFERENCE DES

ITEM	QTY	UM	PART NO.	DESCRIPTION	REFERENCE DES
1	1.0	EA	019065-025	CONN PCB IDC 13/26CONT .1CTRS	
2	1.0	EA	019065-024	CONN RIBBOM IDC 24SKT .085CTRS	
3	4.0	FT	012542-001	CA FL 24CNDCT 28AWG .050"CTRS	

112958 1

DATE	2/4/81	BY	RVT
DESCRIPTION	A RELEASE PER ECO 14914		



- NOTE:
- 1 REMOVE JUMPER KD-7.
 - 2 ADD JUMPER KA-7.
 - 3 ADD JUMPER TA.
 - 4 REMOVE JUMPER TB & TD.
 - 5 REMOVE JUMPER 1-2.
 - 6 ADD JUMPER 3-4.
 - 7 CUT TRACE BETWEEN PADS 13 & 14.
 - 8 SOLDER JUMPER BETWEEN PADS 2 & 6. TYPICAL K8, K9, K10 & K11.
 - 9 CUT TRACE BETWEEN PADS 6 & 10.

REV	1	DATE	11/29/80
DESCRIPTION	CPU ASSEMBLY, IEEE-488 I/F OPTION D		
DATE	11/29/80	BY	RVT
SCALE	1/1	SHEET	1 OF 1

QTY	PART NO.	DESCRIPTION
1	012021-001	PROCESSOR (MOTOROLA)
1	012021-002	JUMPER, SHORTING, INSULATED
1	012021-003	JUMPER, SHORTING, INSULATED
1	012021-004	JUMPER, SHORTING, INSULATED
1	012021-005	JUMPER, SHORTING, INSULATED
1	012021-006	JUMPER, SHORTING, INSULATED
1	012021-007	JUMPER, SHORTING, INSULATED
1	012021-008	JUMPER, SHORTING, INSULATED
1	012021-009	JUMPER, SHORTING, INSULATED
1	012021-010	JUMPER, SHORTING, INSULATED
1	012021-011	JUMPER, SHORTING, INSULATED
1	012021-012	JUMPER, SHORTING, INSULATED
1	012021-013	JUMPER, SHORTING, INSULATED
1	012021-014	JUMPER, SHORTING, INSULATED
1	012021-015	JUMPER, SHORTING, INSULATED
1	012021-016	JUMPER, SHORTING, INSULATED
1	012021-017	JUMPER, SHORTING, INSULATED
1	012021-018	JUMPER, SHORTING, INSULATED
1	012021-019	JUMPER, SHORTING, INSULATED
1	012021-020	JUMPER, SHORTING, INSULATED
1	012021-021	JUMPER, SHORTING, INSULATED
1	012021-022	JUMPER, SHORTING, INSULATED
1	012021-023	JUMPER, SHORTING, INSULATED
1	012021-024	JUMPER, SHORTING, INSULATED
1	012021-025	JUMPER, SHORTING, INSULATED
1	012021-026	JUMPER, SHORTING, INSULATED
1	012021-027	JUMPER, SHORTING, INSULATED
1	012021-028	JUMPER, SHORTING, INSULATED
1	012021-029	JUMPER, SHORTING, INSULATED
1	012021-030	JUMPER, SHORTING, INSULATED
1	012021-031	JUMPER, SHORTING, INSULATED
1	012021-032	JUMPER, SHORTING, INSULATED
1	012021-033	JUMPER, SHORTING, INSULATED
1	012021-034	JUMPER, SHORTING, INSULATED
1	012021-035	JUMPER, SHORTING, INSULATED
1	012021-036	JUMPER, SHORTING, INSULATED
1	012021-037	JUMPER, SHORTING, INSULATED
1	012021-038	JUMPER, SHORTING, INSULATED
1	012021-039	JUMPER, SHORTING, INSULATED
1	012021-040	JUMPER, SHORTING, INSULATED
1	012021-041	JUMPER, SHORTING, INSULATED
1	012021-042	JUMPER, SHORTING, INSULATED
1	012021-043	JUMPER, SHORTING, INSULATED
1	012021-044	JUMPER, SHORTING, INSULATED
1	012021-045	JUMPER, SHORTING, INSULATED
1	012021-046	JUMPER, SHORTING, INSULATED
1	012021-047	JUMPER, SHORTING, INSULATED
1	012021-048	JUMPER, SHORTING, INSULATED
1	012021-049	JUMPER, SHORTING, INSULATED
1	012021-050	JUMPER, SHORTING, INSULATED

DATE	11/29/80	BY	RVT
DESCRIPTION	CPU ASSEMBLY, IEEE-488 I/F OPTION D		
DATE	11/29/80	BY	RVT
SCALE	1/1	SHEET	1 OF 1

NOTES, UNLESS OTHERWISE SPECIFIED: