

Sogevac®

SV40-65 BI FC

Single-stage, oil-sealed rotary vane pump

Operating instructions GA02341_002_A6
and spare parts list



FOR SALES AND SERVICE PLEASE CALL:

PTB SALES T :: 626.334.0500
service@ptbsales.com
www.ptbsales.com

DATE SERVICED: _____

VIEW OUR INVENTORY

Part-Nr:
960363V3001
960461V3001
960462V3001
960463V3001
960465V3001
960465V3002
and other variants



Contents

	Page
Important Safety Information	3
1 Description	6
1.1 Principle of operation	6
1.2 Technical characteristics	7
1.3 Accessories	10
1.4 Lubricants	10
2 Transport and Storing	11
2.1 Transport and packaging	11
2.2 Mounting orientation	11
2.3 Storing	11
3 Installation	12
3.1 Setting up	12
3.2 Electrical connections	13
3.3 Oil filling	15
3.4 Start-up	15
4 Operation	15
4.1 Operation	15
4.2 Working in cycles in / out	16
4.3 Switching off / Shutdown	17
4.4 Conditions of use	17
4.5 Taking out of use	17
5 Maintenance	18
5.1 Safety Information	18
5.2 Maintenance Intervals	18
5.3 Oerlikon Leybold Vacuum Service	19
5.4 Maintenance Work	19
6 Troubleshooting	21
7 Spare parts	23
EC Conformance Declaration	26
Declaration of Contamination of Compressors, Vacuum Pumps and Components	27

Important Safety Information

Indicates procedures that must be strictly observed to prevent hazards to persons.

Warning

Indicates procedures that must be strictly observed to prevent damage to, or destruction of the product.

Caution

Emphasizes additional application information and other useful information provided within these Operating Instructions.

Note

The Oerlikon Leybold Vacuum Sogevac® has been designed for safe and efficient operation when used properly and in accordance with these Operating Instructions. It is the responsibility of the user to carefully read and strictly observe all safety precautions described in this section and throughout the Operating Instructions. The Sogevac® must only be operated indoor. In proper condition and under the conditions described in the Operating Instructions. If not, the protection provided by the equipment may be impaired. It must be operated and maintained by trained personnel only. Consult local, state, and national agencies regarding specific requirements and regulations. Address any further safety, operation and/or maintenance questions to our nearest office.

Failure to observe the following precautions could result in serious personal injury!

Sogevac® pumps are not designed:

- for pumping of dusty, aggressive, corrosive, flammable or explosive gases or gases mixtures,
- for pumping of oxygen or other highly reactive gases with a greater concentration than atmospheric concentration (>20%),
- for working in flammable, explosive or dusty environment.

For all these cases, special materials must be used. In case of doubt, please contact Oerlikon Leybold Vacuum.

See also the limits of use indicated in the CE declaration of conformity.

Never expose part of the body to the vacuum. There is a danger of injury. Never operate the pump with an open and thus accessible inlet. Vacuum connections as well as oil filling and oil draining openings must not be opened during operation of the pump.

Depending on the process involved, dangerous substances and oil may escape from the pump. Take the necessary safety precautions !

Disconnect the unit from the power supply before starting any work.

Pump must not be operated above 2000 m sea level.

Warning



Safety Information

Warning



The Sogevac® vacuum pumps have been manufactured according to the latest technical standards and safety regulations. If not installed properly or not used as directed, dangerous situations or damages could occur.

It is mandatory that these operating instructions be read and understood prior to vacuum pump installation and start-up.

The pump complies to the standard EN 61010-1-2001.

High electric voltages! When touching parts at high electric voltages, there is the risk of suffering severe injuries by an electric shock! Covers marked with this symbol must only be opened by trained electricians after having reliably deenergised (lockout/tagout) the equipment and waited minimum 10 minutes.

Always operate the pump with a properly connected protective earth conductor and make sure that the motor & FC connection box are closed.

Observe the manufacturer's information and operating instructions for the respective frequency converter (enclosed).

Use only the OLV frequency converter for the pumps equipped with one.

After having made changes to the wiring, check the motor's direction of rotation.

Lay the connecting lines so that these cannot be damaged. Protect the lines against humidity and contact with fluids. Avoid thermally stressing the lines by unfavourable laying. Provide strain relief for the connecting lines so that the plugs and the line connectors are not subjected to excessively high mechanical stresses.

Lay electric feed lines so that there is no risk of tripping over these.

Take appropriate precautions to insure that the pump cannot start.

If the pump has pumped hazardous gases it will be absolutely necessary to determine the nature of the hazard involved and take the appropriate safety precautions.

Observe all safety regulations!

Take adequate safety precautions prior to opening the intake or exhaust port.

Warning



Failure to observe the following precautions could result in damage to the equipment!

Liquid and solid particles must not enter the pump. Install the adequate filters, separators and/or condensers. In case of doubt consult Oerlikon Leybold Vacuum.

The intake line of the pump must never be connected to a device with over atmospheric pressure. Design the exhaust line so that no pressure higher than 1,15 bar abs. (0,15 bar rel.) can occur.

Operating of the pump without oil or operating with incorrect direction of rotation can destroy the pump.

Caution

Never use discarded seals. Always assemble using new seals.

Respect the instructions concerning environment protection when discarding used oil or exhaust filters!

The pump must be packaged in such a way that it will not be damaged during shipping, and so that no harmful substances can escape from the package.

We reserve the right to alter the design or any data given in these Operating Instructions. The illustrations are not binding.

Caution : hot surface ! In normal operation, the pump surface temperature can reach 85°C. There is a risk of burning. Switch off the pump and let it cool down before any intervention or take appropriate precautions. It is recommended to use an oil casing or pump touching protection at high ambient temperatures.

As a touching protection, you can use the "Noise enclosure for SV40 BI + 65 BI FC" P/N 960331NENC. The noise enclosure is an accessory not included in the pump delivery.

All work on a pump which is "still warm from operation" should be done only whilst wearing protective gloves.

Handle the pump only while vented and after having let it cool down.

Never remove the oil-fill or oil-drain plugs while the pump is running. There exists the risk of suffering burns. Always wear protective gloves and protective goggles also for protection against the oil.

Some pumps use perfluoropolyether (PFPE) as lubricant.

When handling PFPE you should observe the following:

During thermal decomposition at temperatures over 290 °C toxic and corrosive gases are released. This is not likely to happen in a Sogevac® pump. When handling PFPE keep it away from open fires. Do not smoke with PFPE on your fingers.

Touch the inner sections of the pumps only while wearing clean gloves, and use clean tools; do the necessary work in clean and dry rooms.

Do not allow the ingestion of any objects (screws, welding beads, nuts, washers, pieces of wire, fittings etc.) through the intake port of the pump.

Objects falling into the pump can cause severe damage.

Note

Caution



Caution



Warning



Description

1 Description

Sogevac[®] pumps are designed for pumping of inert gases in the range of rough vacuum, between atmospheric pressure and ultimate pressure of the pump.

When removing condensable vapours, periodic opening of the gas ballast valve is required.

1.1 Principle of operation

The Sogevac[®] pumps are single-stage oil-sealed rotary vane vacuum pumps. The rotor, having three slots in which the vanes are sliding, is eccentrically installed in a pump cylinder (stator).

The vanes separate the interior space into 3 chambers. The volume of these chambers varies with the rotation of the rotor.

The gas sucked into the inlet chamber is compressed and then pushed out at the exhaust valve.

The oil injected in the inlet chamber guarantees the air-tightness, the lubrication and cooling of the pump. It is dragged off by the compressed gases and roughly separated by gravity when entering in the oil sump. A fine separation is then operated in the exhaust filter. An internal transfer pushes the collected oil back into the vacuum generator, the transfer is operated by a float valve to avoid atmospheric air coming from the oil casing to the inlet of the pump when no oil is present in the recovery system.

The oil circulation functions by differential pressures.

The pumps are equipped with a gas ballast valve for pumping condensable vapours.

The anti suckback valve at the inlet flange avoids oil coming back into the inlet line when the pump is stopped. This is valid for working pressures below 100 mbar and under the condition that the valve is kept clean and in good condition. The anti suck-back valve is not a safety valve. If oil back flowing is to be avoided by all means, it is necessary to mount a separate safety valve on the pump inlet.

Some variants are equipped with a frequency converter giving a constant pumping speed independently of the mains frequency and regulating the pump power consumption. At high inlet pressures, the pump speed is decreased.

The pump speed can be reduced to 900 rpm (idle mode) to reduce the power consumption w/o loss of end pressure on some pump variants. In this idle mode, the pump inlet pressure must remain below 10 mbar.

Information to user

The user's manual or instruction manual for an intentional or unintentional radiator shall caution the user that changes or modifications not expressly approved by the party responsible for compliance could void the user's authority to operate the equipment.

Note : This equipment has been tested and found to comply with the limits for a Class A digital device, pursuant to part 15 of the FCC Rules. These limits are designed to provide reasonable protection against harmful interference when the equipment is operated in a commercial environment. This equipment generates, uses, and can radiate radio frequency energy and, if not installed and used in accordance with the instruction manual, may cause harmful interference to radio communications. Operation of this equipment in a residential area is likely to cause harmful interference in which case the user will be required to correct the interference at his own expense.



16AT 500 A @ 250 VAC

This product has been tested to the requirements of CAN/CSA-C22.2 No. 61010-1, second edition, including Amendment 1, or a later version of the same standard incorporating the same level of testing requirements

1.2 Technical characteristics

SV40 B FC

Technical data		50 Hz & 60 Hz
Nominal pumping speed	m ³ /h	≥ 53
Pumping speed (according to PNEUROP)	m ³ /h à 2 mbar	≥ 36
Ultimate partial pressure without gas ballast	mbar	≤ 0,2
Ultimate total pressure with small gas ballast	mbar	≤ 1,0
Water vapour tolerance:		
■ with small gas ballast approx.	mbar	10
Water vapour tolerable load:		
■ with small gas ballast approx.	kg.h ⁻¹	0,34
Noise level (according to DIN 46 635)	dB (A)	≤ 59
Motor power - Rated rotational speed	kW - min ⁻¹	1,6-1800
Mains voltage (+/- 10 %) AC ~	V	200 ... 240
Protection - Insulation ¹⁾		IP 20 - F
Leak rate	mbar.l.s ⁻¹	<1 x 10 ⁻³
Ambient temperature	°C	18 ... 40

See pump nameplate for further data.

¹⁾ Given by power & interface connections.

Description

SV65 BI FC

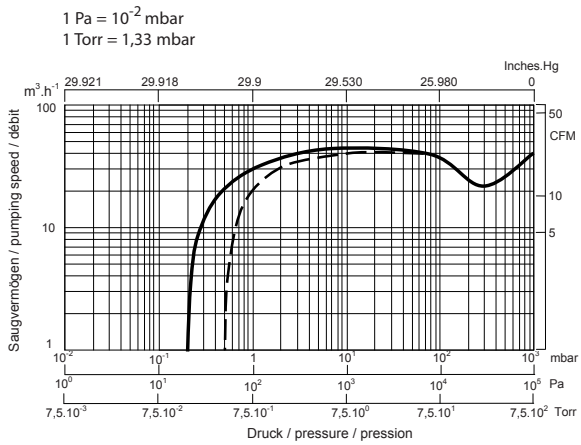
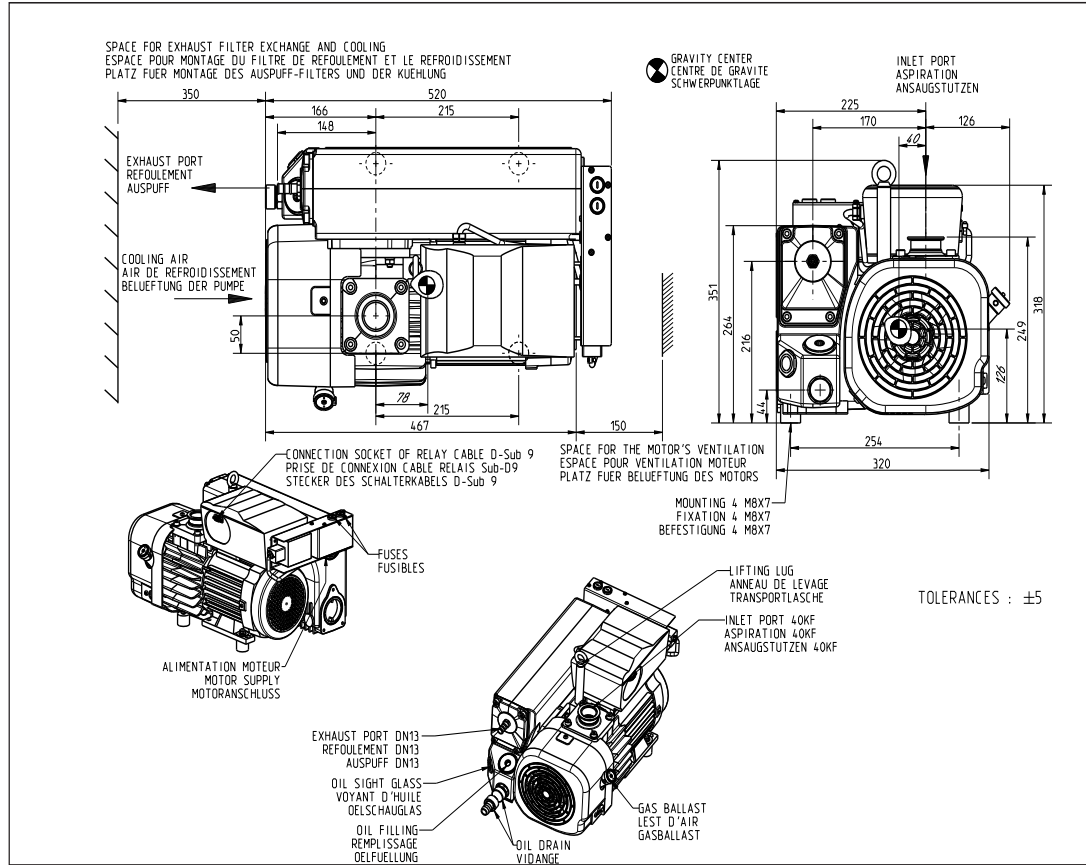
Technical data		50 Hz & 60 Hz
Nominal pumping speed	m ³ /h	71
Pumping speed (Norme PNEUROP)	m ³ /h à 2 mbar	≥ 50
Ultimate partial pressure without gas ballast	mbar	≤ 0,2
Ultimate total pressure with small gas ballast	mbar	≤ 1,0
Water vapour tolerance: ■ with small gas ballast approx.	mbar	10
Water vapour tolerable load: ■ with small gas ballast approx.	kg.h ⁻¹	0,41
Noise level (Norme DIN 46 635)	dB (A)	≤ 60
Motor power - Rated rotational speed	kW - min ⁻¹	1,5-1800
Mains voltage (+/- 10 %) AC ~	V	200 ... 240
Protection - Insulation ¹⁾		IP 20 - F
Leak rate	mbar.l.s ⁻¹	<1 x 10 ⁻³
Ambient temperature	°C	18 ... 40

See pump nameplate for further data.

¹⁾ Given by power & interface connections.

Description

SV40 BI FC & SV65 BI FC



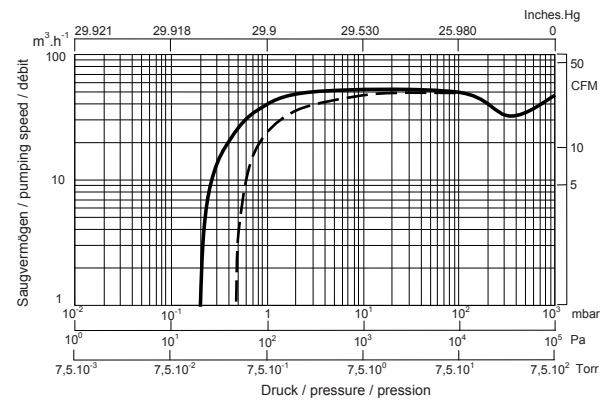
bei / at / à 50 & 60 Hz

Saugvermögenskurven
Pumping speed (volume flow rate)
Courbes de débit

— ohne Gasballast
without gas ballast
sans lest d'air

- - - mit Gasballast
with gas ballast
avec lest d'air

SV40 BI FC



bei / at / à 50 & 60 Hz

Saugvermögenskurven
Pumping speed (volume flow rate)
Courbes de débit

— ohne Gasballast
without gas ballast
sans lest d'air

- - - mit Gasballast
with gas ballast
avec lest d'air

SV65 BI FC

Description

1.3 Accessories

Specification	Cat. Nr.
Adapter for tubing	712 41 608

1.4 Lubricants

The Sogevac® pumps should be run with vacuum pump oils with a viscosity according to ISO category VG32. Use only the Oerlikon Leybold Vacuum oil indicated on the name plate and pump. In case other oils are used, Oerlikon Leybold Vacuum rejects all responsibility should any trouble occur.

Oil	Conditioning	Reference
Mineral LVO110	1 l	9 714 50 502
Ester LVO200	1 l	L 200 01
Ester LVO200	2 l	L 200 02
Ester LVO200	5 l	L 200 05
Ester LVO200	20 l	L 200 20
PFPE LVO420	1 l	9 714 66 761

Ordering information / Bestellinformation / Information de commande

P/N	Motor	GB	Inlet Einlass Aspiration	Exhaust Auslass Refoulement	Oil & quantity Öl & Menge Huile & quantité	Power connection Leistungsanschluss Connexion puissance	Interface Schnittstelle
SV40 BI FC							
960363V3001	A	Y1	40 KF	C	Mineral LVO110, 1 l	C20	Sub-D9
SV65 BI FC							
960461V3001	A	N	40 KF	40 KF	Ester LVO200, 2 l	Hirschmann CA3GS	Sub-D9 + On/Off switch Sub-D9 + Ein/Aus Schalter Sub-D9 + Inter. Marche/Arrêt
960462V3001	A	Y1	40 KF	40 KF	PFPE LVO420, 2 l	Hirschmann CA3GS	Sub-D9 + On/Off switch Sub-D9 + Ein/Aus Schalter Sub-D9 + Inter. Marche/Arrêt
960463V3001	A	Y1	40 KF	C	Mineral LVO110, 2 l	C20	Sub-D9
960465V3001	A	Y1	40 KF	C	Ester LVO200, 2 l	Hirschmann CA3GS	Sub-D 9
960465V3002	A	Y1	40 KF	C	PFPE LVO420, 2 l	Hirschmann CA3GS	Sub-D 9

Motor / Motor/ Moteur:

A = Single phase power supply 200-240V +/-10% 50Hz and 60Hz with frequency converter
 = Wechselstromspeisung 200-240V +/-10% 50Hz und 60Hz mit Frequenzwandler
 = Alimentation monophasée 200-240V +/-10% 50Hz et 60Hz avec convertisseur de fréquence

Gas ballast / Gasballast / Lest d'air:

Y1 = 0,5 m3/h manual / manuell / manuel

Exhaust / Auslass / Echappement

C = ½ " barbed hose fitting / ½ " Schlauchanschluss / Embout cannelé ½ "

2 Transport and Storing

2.1 Transport and packaging

Sogevac® vacuum pumps pass a rigorous operating test in our factory and are packaged to avoid transport damages. Indications on the packaging must be observed.

Please check packaging on delivery for transport damages.

The outer package bears a shock indicator, turning red at 50 g. Should the shock indicator have reacted, a transportation damage may have occurred and the freight forwarder must be advised.

Packing materials should be disposed off according to environmental laws or re-cycled. These operating instructions are part of the consignment.

The connection ports are blanked off by plastic protective caps or self-adhesives. Take these caps or self-adhesives away before turning on the pump.

2.2 Mounting orientation

See required space on drawings in paragraph 1.2.

Pumps which have been filled with oil must only be moved in the upright position (horizontally). Otherwise oil may escape. The angle of slope may not be over 10° max. Avoid any other orientations while moving the pump.

Only use the lifting lugs which are provided on the pump to lift the pump with the specified lifting devices.

Make sure that these have been installed safety. Use suitable lifting equipment. Make sure that all safety regulations are observed.

Use only lifting devices appropriated to the pump weight. Check name plate. Do not use other pump elements than the lifting lugs as handles.

2.3 Storing

Before stocking the pump for a long time put it back in its original condition (blank off inlet and exhaust ports with the shipping seals, drain the oil) and store the pump in a dry place at room temperature.

Storage temperature: - 15°C to + 50°C.

Until the pump is put back in to service again, the pump should be stored in a dry place, preferably at room temperature (20 °C - 168 °F). Before taking the pump out of service, it should be properly disconnected from the vacuum system, purged with dry nitrogen and the oil should be exchanged too. The gas ballast must be closed and if the pump is to be shelved for a longer period of time it should be sealed in a plastic bag together with a desiccant (Silicagel).

If the pump has been shelved for over one year, standard maintenance must be done and the oil must be exchanged too before the pump is put in to service once more.

We recommend that you contact the service from Oerlikon Leybold Vacuum.

Caution

Installation

Warning



3 Installation

It is essential to observe the following instructions step by step to ensure safe start-up. Start-up may only be conducted by trained specialists.

The standard pump is not suitable for installation in explosion hazard ATEX areas. Please contact us, if you are planning such an application. Before installing the pump you must reliably disconnect it from the electrical power supply and prevent the pump from running up inadvertently.

Observe all safety regulations.

3.1 Setting up

The pump must be set up or mounted horizontally on a flat surface. Special mounting is not required.

The pump must be levelled within a tolerance of ± 2 degrees.

The following ambient operating environment must be observed:

- Pollution degree 2
- Ambient temperature: 18 °C to 40 °C (54 °F to 104 °F),
- Ambient pressure = Atmospheric pressure.
- Rel. humidity ≤ 95 % without condensation

In order to avoid over-heating of the pump, an undisturbed fresh airflow to the pump is necessary.

Additional warning note : consider changes in ambient temperatures that might occur when air conditioning is turned down, such as nights and weekends.

The pump must be kept clean (no dust deposit).

Normal presence of transient over-voltages due to the power mains.

NOTE : the usual transient over-voltage level corresponds to the category II of the impulse withstand (over-voltage) of the IEC 60364-4-443.

Caution

Inlet connection

See safety instructions page 3.

- The inlet flange can be connected with a vacuum-tight flexible hose and/or pipe.
- The pipes should cause no stresses on the pump's flanges. If necessary, compensators must be opened.
- Restriction of the pipes must be avoided in order not to decrease the pumping speed of the pump. The nominal diameter of the pipes has to be at least the same as the diameter of pump's inlet flange.
- When removing condensable vapours, a gas ballast valve must be opened periodically to avoid solvent build up in the oil.
- Additional warning note: additional air flow may be needed during ballast, as this increases pump temperature.
- The inlet pressure must not be above atm. pressure.

See also indications on the pump nameplate.

Warning



Connection to exhaust side

■ No valve or restricting devices should be installed in the exhaust line of the pump. If an exhaust line is installed, it must at least have the same diameter as the exhaust flange. It should be installed in a manner so that no condensate can enter the pump (siphon, slope).

The maximum exhaust pressure must neither exceed 1.15 bar absolute (0.15 bar relative), nor fall under atmosphere pressure minus 15 mbar.

Pump exhaust to be connected if oil mist or process gases are to be avoided in the pump area.

Corresponding pressure regulating devices to be installed by the user.

3.2 Electrical connections

Ensure that incoming power to the pump is off before wiring the motor or altering the wiring.

IEC & local electrical regulations must be followed.

Should the pump be connected to a standard wall socket, it must be checked that a building protection rated 16 A is installed (fuse or breaker) to protect the power cable. The frequency converter itself is self-protecting.

Even if the pump is not operating, live voltage is present in the frequency converter! Even after complete power disconnection, allow min. 10 minutes for a complete capacitor discharge.

Voltage and frequency mentioned on the pump nameplate must agree with the supply voltage.

See also the F/C manual enclosed at the end of the present document.

The control cable must be at least distant by 10 cm to the mains cable and crossings shall be at 90°.

Pump control and power supply connection:

See « Ordering information » for the power supply & interface type on the pump.

The power socket and cord are disconnection elements which must remain accessible to the users.

Following power cables with connection IEC 320 / C19 exist:

	Reference
UK l = 1.8 m	140307
EUR Schuko plug l = 1.8 m	140306
USA (high V) l = 1.8 m	140305

Warning



Warning



Installation

Following Hirschmann CA3GS power cables exist:

	Reference
Switzerland l = 2.5 m	971457CH
UK l = 2.5 m	971457GB
EUR Schuko plug l = 2.5 m	971457EUR
USA (high V) l = 2.5 m	971457NEMA
sans prise l = 2.5 m	971457WW

Control / interface connections for **FRN 960350V300** Pin-out

P/N : 960461V3001
960462V3001

pin 1 : 24 V
pin 2 : NC
pin 3 : Rx Tx
pin 4 : NC
pin 5 : 0 V
pin 6 : valid Tx
pin 7 : Rx Tx
pin 8 : NC
pin 9 : 0 V

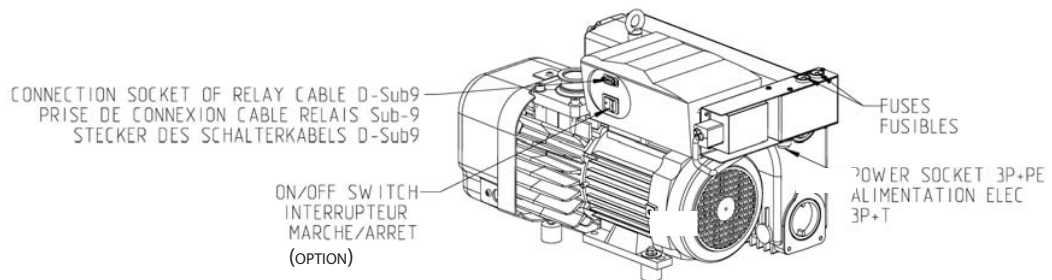
Sub-D female

960463V3001
960465V3001
960465V3002

pin 1 : Analog output
pin 2 : 24 V
pin 3 : 10 V (potentiometer)
pin 4 : Digital input 2
pin 5 : NC
pin 6 : Potentiometer input
pin 7 : 0 V (potentiometer)
pin 8 : Digital input 1
pin 9 : 24 V

Sub-D male

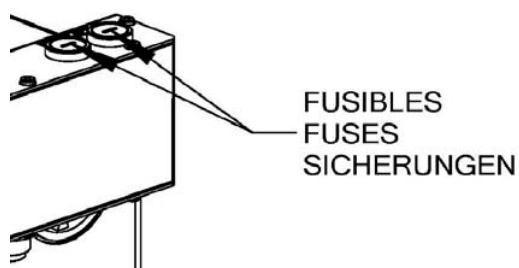
For high speed operation, connect 8 and 9.
For low speed operation, connect 2 to 4.



The pump is protected against over-currents by two 5X20 mm internal fuses rated 250 V, 16A Time lag T. 10A fuses can also be used under certain conditions. Please contact us.

The fuse is mounted in a separate housing and can be exchanged from outside using a screwdriver to open the fuse holder cap. See drawing below.

Exchange fuse only with electrically unplugged pump for at least 10 minutes.



3.3 Oil filling

The pump is delivered with its oil inside.

To fill in the oil, unscrew the oil fill plug and fill in until the oil level reaches the "MAX" mark beside the oil sight glass.

- 1 l oil is needed for the SV40 BI FC .
- 2 l oil are needed for the SV65 BI FC.

3.4 Start-up

Always verify proper oil level before operating the pump.

4 Operation

4.1 Operation

To avoid overloading the motor, do not start the pump more than 6 times within one hour. If more than 6 starts per hour are necessary keep the pump running and mount a valve which opens and closes into the intake line.

Take note of warning labels on the pump.

Caution

Warning



Operation

Use ear protection in case of operation at high inlet pressures

Pumping of non-condensable gases

If the pump system contains mainly non condensable gases, the pumps should be operated without gas ballast.

If the composition of the gases to be pumped is not known and if condensation in the pump cannot be ruled out, run the pump with gas ballast valve open in accordance with section below.

Pumping of condensable gases and vapors

With the gas ballast valve open and at operating temperature, the Sogevac[®] pumps can pump pure water vapor up to the values indicated in the Technical Data.

The gas ballast valve is opened by hand by a knob or a screwdriver on the fan cover or by an EM valve 24 VDC. The running noise of the pump is slightly louder if the gas ballast valve is open. Before pumping vapors ensure that the pump has warmed up for approx. 30 min. with closed intake line and with open gas ballast valve.

Don't open the pump to condensable vapors until it has warmed to operating temperature (approximately); pumping process gas with a cold pump results in vapors condensing in the oil.

Caution

One sign of condensation of vapors in the pump is a rise of the oil level during operation of the pump.

When vapors are pumped, the pump must not be switched off immediately after completion of the process because the condensate dissolved in the pump oil may cause changes or corrosion. To prevent this, the pump must continue to operate with open gas ballast valve and closed intake port until the oil is free of condensate. We recommend operating the pump in this mode for at least 30 min. after completion of the process.

Note

Daily ballasting is recommended when continuously pumping larger volumes of condensable vapors.

In cycle operation, the pump should not be switched off between the cycles but should continue to run with gas ballast valve open and intake port closed (if possible via a valve). Power consumption is minimal when the pump is operating at ultimate pressure.

Once all vapors have been pumped off from a process (e. g. during drying), the gas ballast valve can be closed in order to improve the ultimate pressure.

4.2 Working in cycles in / out

We recommend strongly to limit starting of the pump to 5 or 6 per hour. If the process need it, we recommend utilization of a pneumatic or electromagnetic valve and to let the pump run continuously.

4.3 Switching off / Shutdown

The intake port of the Sogevac[®] pumps contains an anti-suckback valve which closes the intake port when the pump is switched off, thus maintaining the vacuum in the connected apparatus and preventing oil from being sucked back into the apparatus. The valve's functioning is not impaired by gas ballast operation.

If the pump has to be shutdown, drain the oil flush out the pump with fresh oil and fill in the required amount of clean oil (see § 5.4). Close the connection ports. Special preservation or flushing oils do not need to be used.

When the pump has been switched off due to over heating, initiated by the motor or its temperature detector, the pump must be cooled down to the ambient temperature, and must only be switched on again manually after having eliminated the cause.

In order to prevent the pump from running up unexpectedly after a mains power failure, the pump must be integrated into the control system in such a way that the pump can only be started by a manual action. This applies equally to emergency cut-off switches.

Close the gasballast.

4.4 Conditions of use

The Sogevac[®] SV BI (FC) pumps are intended to be used on clean processes, at low inlet pressure, e.g. for backing turbo molecular pumps (TMP) in Analytical or R&D applications like mass spectrometers, electronic microscopes, coating installations, etc.

In normal operation, the Sogevac[®] SV BI (FC) pumps operated typically below 30 mbar inlet pressure or at ultimate pressure with open gas ballast (for pumps having a gas ballast). Continuous duty is possible.

In the below listed abnormal conditions (but not limited to) the pump may stop due to overheating of the power electronics or motor.

- Continuous operation at high inlet pressure
- Restricted, clogged or blocked exhaust filter or exhaust line
- Out of tolerance supply voltage
- Unsuitable, polluted or too old oil
- Too low oil level
- Too high ambient temperature
- Clogged fan hoods or impeded fresh air circulation
- Etc.

Caution

Maintenance

Warning



Caution

4.5 Taking out of use

Please contact OLV for all relation question about the disposal of spares, consumables or the entire pump

5 Maintenance

5.1 Safety Information

Observe all safety regulations.

All work must be done by suitably trained personnel. Maintenance or repairs carried out incorrectly will affect the life and performance of the pump and may cause problems when filling warranty claims.

Never mount used seals; always mount new seals.

5.2 Maintenance Intervals

The intervals stated in the maintenance schedule are approximate values for normal pump operation. Unfavourable ambient conditions and/or aggressive media may significantly reduce the maintenance intervals.

Maintenance job	Frequency	Section
Check the oil level	Daily	A
1st oil change	Depends of process	B
Subsequent oil changes operation	Depends of process	B
Exhaust filter replacement	Annually	C
Gas ballast valve	Monthly checking	D
Anti-suck back valve checking	Annually	E
Fan cover cleaning	Annually	F
Check the float valve	Annually	G

In order to simplify the maintenance work we recommend to combine several jobs.

Maintenance works must be carried out with proper tools in an adequate work space / bench equipped with sufficient lighting.

Use only OLV spare & consumables.

An overhaul at OLV is recommended every 3 years.

After maintenance operations, make sure the device is in a safe condition before putting back into operation.

5.3 Oerlikon Leybold Vacuum Service

Whenever you send us in equipment, indicate whether the equipment is contaminated or is free of substances which could pose a health hazard.

If it is contaminated, specify exactly which substances are involved. You must use the form we have prepared for this purpose.

A copy of the form has been reproduced at the end of these Operating Instructions: "Declaration of Contamination for Compressors, Vacuum Pumps and Components". Another suitable form is available from www.oerlikon.com → Oerlikon Leybold Vacuum Systems → Documentation → Download Documents.

Attach the form to the equipment or enclose it with the equipment.

This statement detailing the type of contamination is required to satisfy legal requirements and for the protection of our employees.

We must return to the sender any equipment which is not accompanied by a contamination statement.

The pump must be packaged in such a way that it will not be damaged during shipping, and so that no harmful substances can escape from the package.

When disposing of used oil, please observe the relevant environmental regulations.

5.4 Maintenance Work

Checking the oil

A. Oil level

The oil level shall be checked at least once a day and must be, while the pump is in operation, close to the MAX marks. Should the oil level be below the MIN mark switch off the pump, check it (see chapter 4) and add the required amount of oil.

Oil level may drop when pump is operating due to oil distribution in the pump.

B. Oil Change

Oil must be changed typically after the first year of service. Further oil changes must be done annually. If there is considerable pollution, it could be necessary to change the oil more frequently.

Oil changing must be done with a **switched off and still warm pump**. Open the oil drain plug and let the used oil run out into an appropriate container. Refasten the oil drain plug when oil runs sloup the pump briefly (5 sec. max.) and switch of immediately. Reopen the oil drain plug and drain the rest of the oil.

Additional warning note: more frequent oil changes may be necessary if the ambient temperature is above 30 °C.

Before refastening the oil drain plug, inspect the o-ring and verify that it is free of particulate and is seated properly. Replace if necessary.

Contamination

Form

Caution

Warning



Maintenance

The pump should be "flushed" if there is considerable pollution.

To flush the pump, for clean oil up to the minimum level, let the pump run for a few minutes and drain the oil. Install a full charge of oil, 1 liter.

When disposing of used oil, please observe the relevant environmental regulations.

Warning



Caution

C. Replacing the exhaust filters

Oil mist escaping from the exhaust during operation indicates that the filter is probably clogged. Increased energy intake by the motor could also be the result of a soiled exhaust filter. Pump switched off, open the exhaust hood, take out the filter and replace it. Also check the gasket of the exhaust flange and change it if necessary.

Take care about hot oil ! Risk of burning by touching !

D. Gas ballast valve cleaning

Contact Oerlikon Leybold Vacuum.

Clean the membrane, the seat and the knob.

Reassemble in the reverse sequence.

E. Anti-suck back valve checking

The anti-suck back valve should be checked at the same time as the inlet flange sifter and if dirty, be cleaned with an appropriate solvent.

Also check, if there is no damage on the sealing part of the valve.

F. Fan cover cleaning

Soiling of the fan cover may lead to overheating of the motor and the pump.

Put off the cover and clean it with blast air.

Before starting the pump again, be sure that the cover has been reassembled.

G. Checking the float valve

When replacing the exhaust filter, check the cleanliness and the proper operation of the float valve. After having disassembled the exhaust flange and oil casing, remove screw, pull on the float valve, clean the nozzle and check that the float itself oscillates free around its axle and that the valve is tight. Clean the float chamber of the oil casing. Reassemble in the reverse sequence.

6 Troubleshooting

Fault	Possible cause	Remedy	Reference section *
Pump does not start.	Pump is connected incorrectly.	Connect the pump correctly.	3.3
	Motor protection switch incorrectly set.	Set motor protection switch properly or change fuse.	3.3
	Operating voltage does not match motor.	Replace the motor.	1.4
	Motor is malfunctioning.	Replace the motor.	
	Oil temperature is below 12 °C (54 °F).	Heat the pump and pump oil or use different oil.	
Oil is too viscous.	Use appropriate oil grade.	5.4-B	
	Exhaust filter / exhaust line is clogged.	Replace the filter or clean the exhaust line.	5.4-D
Pump does not reach ultimate pressure.	External leak	Repair the pump.	5.4-H
	Float valve does not close.	Repair the valve.	
	Anti-suckback valve is malfunctioning.	Repair the valve.	5.4-F
	Inadequate lubrication due to:		
	■ unsuitable or contaminated oil,	Change the oil (degas it, if necessary).	5.4-C
	■ clogged oil filter,	Replace the oil filter.	5.4-C
	■ clogged oil lines.	Clean the oil casing.	
	Vacuum lines are dirty.	Clean vacuum lines.	
Pump is too small.	Check the process date; replace the pump, if necessary.		
Pumping speed is too low.		Precaution : install a dust filter in intake line.	
	Exhaust filter is clogged.	Install new filter elements.	5.4-D
	Connecting lines are too narrow or too long.	Use adequately wide and short connecting lines.	3.2
	Anti-suckback valve is hard to open.	Check spring free length.	
After switching off pump under vacuum, pressure in system rises too fast.	System has a leak.	Check the system.	5.4-F
	Anti-suckback is malfunctioning.	Repair the valve.	
Pump gets too hot	Cooling air supply is obstructed.	Set pump up correctly.	3.1
	Cooler is dirty.	Clean the cooler.	
	Ambient temperature is too high.	Set pump up correctly.	3.1
	Process gas is too hot.	Change the process.	
	Oil level is too low.	Add oil to reach the correct oil level.	5.4-C
	Oil is unsuitable.	Change the oil.	5.4-C
	Oil cycle is obstructed.	Clean or repair the oil lines.	
Exhaust filter / exhaust line is obstructed.	Replace the exhaust filter, clean the exhaust line.	5.4-D	
	Pump module is no longer usable.	Replace the pump module.	5.4-K

Troubleshooting

Fault	Possible cause	Remedy	Reference section *
Oil in intake line or in vacuum vessel.	Oil comes from the vacuum system.	Check the vacuum system.	
	Anti-suckback valve is obstructed.	Clean or repair the valve.	5.4-F
	Sealing surfaces of anti-suckback valve are damaged or dirty.	Clean or repair the intake port and valve.	5.4-F
Pump's oil consumption too high, oil mist at exhaust.	Oil level is too high.	Drain the excess oil.	5.4-B
	Exhaust filters are clogged or damaged.	Replace the filters.	5.4-C
	Nozzle of float valve is clogged.	Check the valve, clean the nozzle.	5.4
Oil is turbid.	Condensation.	Oil level is too high.	5.4-B
		Drain the excess oil.	
Pump is excessively noisy.	Oil level is very low (oil is no longer visible). Oil filter is clogged. Large vacuum leak in system.	Degas the oil or change the oil and clean the pump.	4.1/5.4-B
		Precaution : open the gas ballast valve or insert a condensate trap.	
		Clean the gas ballast intake filter.	5.4-G
Pump is excessively noisy.	Oil level is very low (oil is no longer visible). Oil filter is clogged. Large vacuum leak in system.	Add oil.	5.4-B
		Change the oil and filter.	5.4-B
		Repair vacuum leak. Contact Oerlikon Leybold Vacuum.	

* Reference section : This column refers to the section in the Operating Instructions that contains the applicable repair information.

Never mount used seals. Always mount new seals.

7 Spare parts

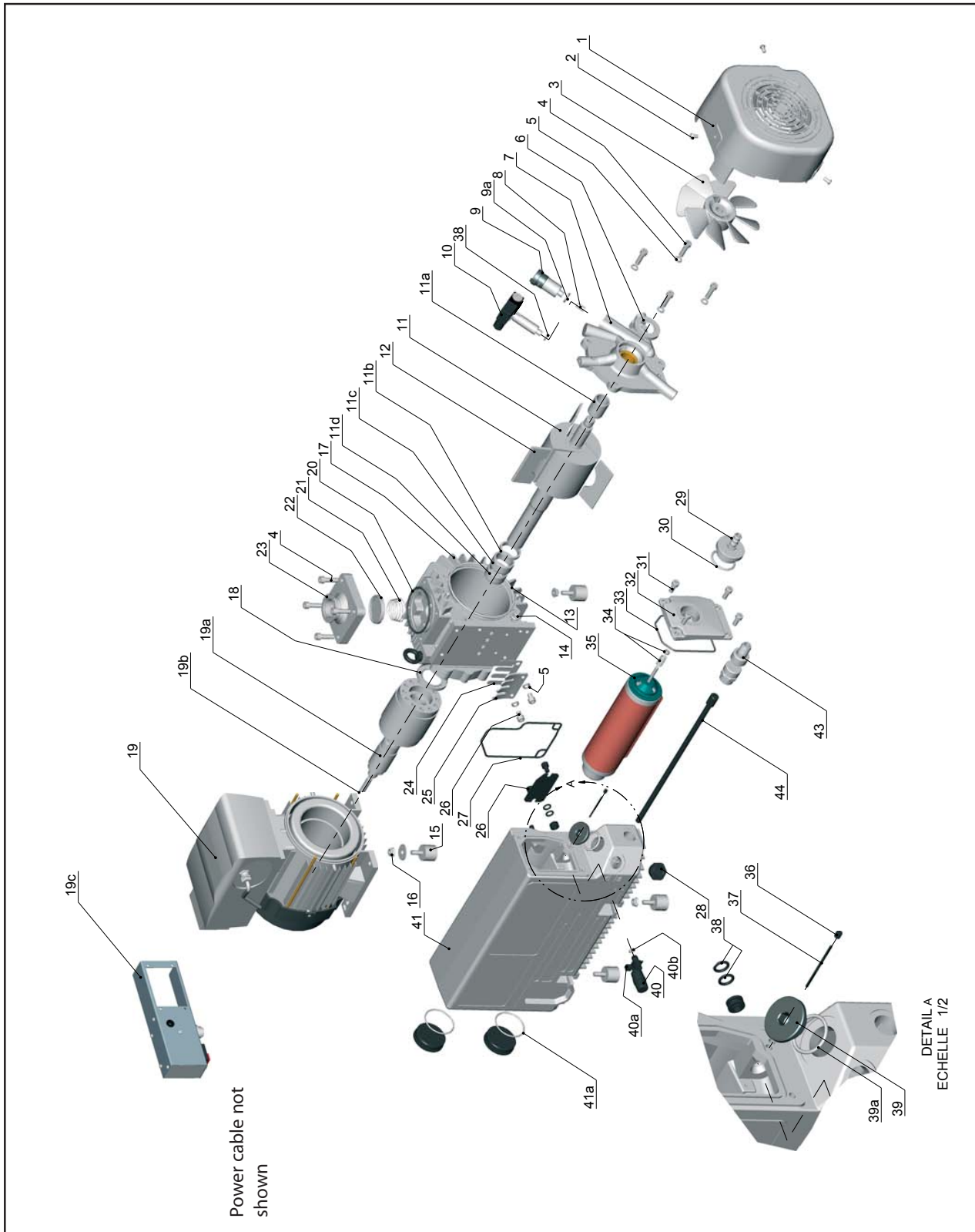
To guarantee safe operation of the Oerlikon Leybold Vacuum pump, only original spare parts and accessories should be used. When ordering spare parts and accessories, always state pump type and serial number. You can find part numbers in the spare parts list.

Consummables and main spare parts kits for Sogevac® pumps are usually available on stock at Oerlikon Leybold Vacuum's service centers. The list of these parts is given hereafter and in the spare parts table where the contents of each kit is detailed.

- Exhaust demisters
- Oil
- Service kit
- Set of seals
- Repair kit

We recommend to use these kits which have been defined to allow an optimal maintenance or repair. Individual spare parts may need longer delivery time.

Spare parts



Spare parts

S V 4 F 0 C	B I F 6 C	S B V I F 6 C	Pos	Qty	SPECIFICATION	Dimensions (mm)	Material	Ref. No.	Notes
●	●	●	1	1	MODULE COVER			971464070	Incl.2
●	●	●	1	1	MODULE COVER			EK6506342	Incl.2
●	●	●	2	3	SCREW	CHC M6X12			
●	●	●	3	1	COOLING FAN			971424870	
●	●	●	4	8	SCREW	CHC M8 X 30			
●	●	●	5	10	WASHER	W8			
●	●	●	6	1	RADIAL SHAFT SEAL		PTFE		
●	●	●	6	1	RADIAL SHAFT SEAL		FKM		
●	●	●	7	1	END PLATE		PTFE - FKM	EK6505725	Incl.4-6, 8, 13, 14
●	●	●	7	1	END PLATE		PTFE - FKM	EK971472920	Incl.4-6, 8, 13, 14
●	●	●	8	1	GB SCREW NON-RETURN UNIT			EK6700450	
●	●	●	9	1	MANUAL GAS BALLAST			EK971472930	
●	●	●	9a	1	O-RING		FKM		
●	●	●	10	1	EM GAS BALLAST	24 V DC ±10%		EK971472940	Incl.38
●	●	●	11	1	ROTOR WITH RINGS			71420760	Incl. 11a, 11c, 11d
●	●	●	11	1	ROTOR WITH RINGS			EK971472810	Incl. 11a, 11b, 11c, 11d
●	●	●	11a	1	ROTOR RING				
●	●	●	11b	1	ROTOR RING				
●	●	●	11c	1	ROTOR RING				
●	●	●	11d	1	ROTOR RING				
●	●	●	12	1	VANES SET OF 3			71420810	
●	●	●	12	1	VANES SET OF 3			EK971472820	
●	●	●	13	1	O-RING		FKM		
●	●	●	14	1	O-RING		FKM		
●	●	●	15	1	RUBBER MOUNT (SET OF 4)	DN30 H25		71212640	Incl.16
●	●	●	16	4	HEXAGONAL FLANGE NUT	H M8			
●	●	●	17	1	PUMP CYLINDER EQUIPPED			EK6503297	With centering pins
●	●	●	17	1	PUMP CYLINDER EQUIPPED			EK971472830	With centering pins
●	●	●	18	1	RADIAL SHAFT SEAL		PTFE		
●	●	●	18	1	RADIAL SHAFT SEAL		FKM		
●	●	●	19	1	MOTOR				See Pbs. 42
●	●	●	19a	1	MOTOR RING			71421150	
●	●	●	19b	1	SCREW	CHC M10 X 55			
●	●	●	19c	1	FAN			71416840	
●	●	●	19d	1	FAN COVER			71416830	
●	●	●	19	1	MOTOR			EK971472840	Pos. 42
●	●	●	19a	1	MOTOR RING			71416880	
●	●	●	19b	1	SCREW	CHC M10 X 70			
●	●	●	19c	1	PROTECTION BOX			Upon request	
●	●	●	20	1	O-RING		FKM		
●	●	●	21	1	SPRING				
●	●	●	22	1	INTAKE VALVE		FKM		
●	●	●	23	1	INTAKE FLANGE	25KF		EK971472850	Incl. 4, 20, 21, 22
●	●	●	23	1	INTAKE FLANGE	40KF		EK971472860	Incl. 4, 20, 21, 22
●	●	●	24	1	EXHAUST VALVE				
●	●	●	25	1	VALVE STOP				
●	●	●	26	4	SCREW	CHC M8 X 12			
●	●	●	27	1	GASKET		FKM		
●	●	●	28	1	OIL SIGHT GLASS	G3/4			
●	●	●	29	1	PLUG M - BARBED HOSE FITTING	G1 1/4 M - DN13		971444130	Incl. 30
●	●	●	29	1	ADAPTER	G1 1/4 M - 25KF		EK971443480	Incl. 30
●	●	●	29	1	ADAPTER	G1 1/4 M - 40KF		71118123	Incl. 30
●	●	●	30	1	O-RING		FKM		
●	●	●	31	4	SCREW	CHC M8X20			
●	●	●	32	1	EXHAUST FLANGE	G1 1/4		71420440	Incl. 33
●	●	●	33	1	O-RING		FKM		
●	●	●	34	1	SPRING UNIT			71420370	
●	●	●	35	1	EXHAUST FILTER WITH BYPASS			971471470	
●	●	●	35	1	EXHAUST FILTER WITH BYPASS			71417300	
●	●	●	36	1	GASKET FOR PIN				
●	●	●	37	1	CENTERING PIN	DN2.5		971427110	
●	●	●	38	3	O-RING		FKM		
●	●	●	39	1	PLUG + O-RING	G 1		71073040	
●	●	●	39a	1	O-RING		FKM		
●	●	●	40	1	FLOA VALVE COMPL.			71417210	Incl. 40a, 40b
●	●	●	40a	1	OIL RETURN VALVE SEAL		FKM		
●	●	●	40b	1	O-RING		FKM		
●	●	●	41	1	OIL CASING			EK6700464	Incl. 5, 27 - 41a / excl. 29
●	●	●	41	1	OIL CASING			EK971472870	Incl. 5, 27 - 41a / excl. 29
●	●	●	41a	2	O-RING		FKM		
●	●	●	42	1	FREQUENCY CONVERTER	200 - 240V ±10% 50/60 Hz		Upon request Auf Anfrage Sur demande	With motor cable
●	●	●	43	1	DRAIN COUPLING	G3/4		71241608	
●	●	●	44	1	OIL RECOVERY PIPE			971461400	
●	●	●	44	1	OIL RECOVERY PIPE			71417130	
●	●	●			SHAFT SEAL KIT PTFE SV40BI FC		PTFE	EK6700438	
●	●	●			SHAFT SEAL KIT PTFE SV65BI FC		PTFE	EK971472950	
●	●	●			SHAFT SEAL KIT FKM SV40BI FC		FKM	EK6700467	
●	●	●			SHAFT SEAL KIT FKM SV65BI FC		FKM	EK71417018	
●	●	●			SET OF SEALS SV40BI FC		FKM-PTFE	EK971472980	
●	●	●			SET OF SEALS SV65BI FC		FKM-PTFE	EK971472890	
●	●	●			REPAIR KIT SV40BI FC		FKM - PTFE	EK971472990	
●	●	●			REPAIR KIT SV65BI FC		FKM - PTFE	EK971472900	
●	●	●			VACUUM GENERATOR WITH MAN GB SV40BI FC		FKM-PTFE	EK6700437	
●	●	●			VACUUM GENERATOR WITH MAN GB SV65BI FC		FKM-PTFE	EK971472910	
●	●	●			SERVICE KIT SV40BI FC			971427660	
●	●	●			SERVICE KIT SV65BI FC			971423440	

EC Conformance Declaration



Single-stage, oil-sealed rotary vane pump Sogevac®

We, the Oerlikon Leybold Vacuum France, declare herewith that the products listed below, in the embodiment which we have placed on the market, comply with the applicable EC guidelines.

This declaration becomes invalid if modifications are made to the product without prior consultation with us.

Maintaining the EMC guideline assumes an EMC compliant installation of the component within the plant or machine.

Product type: SOGEVAC

Model designation: SV16, SV25, SV16D, SV25D, SV200, SV1200, SV10B, SV16B, SV25B, SV40B, SV65B, SV100B, SV120B (I FC), SV300B, SV470B, SV500B, SV570B, SV630B, SV750B, SV28BI (FC), SV40BI (FC), SV65BI(FC), and their variants, excepted pumps delivered without motor and pumps equipped with EEx motors

The products comply with the following guidelines:

- EC Directive on machines (2006/42/EC)
- EC Low-Voltage Equipment Guidelines (2006/95/EC)
- EC Directive on Electromagnetic Compatibility (2004/108/EC)

Limits of use:

- The pump and its accessories are not designed for pumping aggressive, flammable, explosive gases or vapors or substances, pyrophoric gases or oxidizing agents.
- The pump and its accessories are not designed for working in aggressive, flammable, or explosive ambience.
- For pumping oxygen in concentrations greater than atmospheric concentration (>20%) or other highly reactive gases, a special pump must be used. This pump must be modified and an inert oil (such as PFPE) must be used.

Contact Oerlikon Leybold Vacuum France for important safety precautions relative to these applications.

Other safety precautions and restrictions:

Refer to the manual delivered with the pumps. In any case, take adequate safety precautions.

Documentation Officer: Herbert Etges
Tel. : +49 (0) 221 347-0
Fax : +49 (0) 221 347-1250
E-Mail : documentation.vacuum@oerlikon.com
Oerlikon Leybold Vacuum GmbH
Bonner Straße 498, D-50968 Köln, Germany

Valence, December 10th 2012

Joseph Schott
Plant Manager

Jean-François Aubert
Vane pumps R&D Manager

Oerlikon Leybold Vacuum France
640, rue Aristide Berges – BP107
F-26501 BOURG-LES-VALENCE cédex
Tel.: +33-(0)4.75.82.33.00
Fax: +33-(0)4.75.82.92.69

www.oerlikon.com

Declaration of Contamination of Compressors, Vacuum Pumps and Components

The repair and / or servicing of compressors, vacuum pumps and components will be carried out only if a correctly completed declaration has been submitted. Non-completion will result in delay. The manufacturer can refuse to accept any equipment without a declaration.

A separate declaration has to be completed for each single component.

This declaration may be completed and signed only by authorised and qualified staff.

Customer/Dep./Institute: _____ _____ Address: _____ _____ Person to contact: _____ Phone: _____ Fax: _____ End user: _____	Reason for return <input checked="" type="checkbox"/> applicable please mark <input type="checkbox"/> Repair <input type="checkbox"/> chargeable <input type="checkbox"/> warranty <input type="checkbox"/> Exchange <input type="checkbox"/> chargeable <input type="checkbox"/> warranty <input type="checkbox"/> exchange already arranged / received Return only: <input type="checkbox"/> rent <input type="checkbox"/> loan <input type="checkbox"/> for credit Calibration: <input type="checkbox"/> DKD <input type="checkbox"/> Factory calibration <input type="checkbox"/> Quality test certificate DIN 55350-18-4.2.1																																																	
A. Description of the Leybold product																																																		
Material description: _____ Catalog number: _____ Serial number: _____ Type of oil (Forevacuum pumps): _____	Failure description: _____ Additional parts: _____ Application Tool: _____ Application Process: _____																																																	
B. Condition of the equipment																																																		
1. Has the equipment been used ¹⁾ <input type="checkbox"/> 2. Drained (Product/service fluid) <input type="checkbox"/> 3. All openings sealed airtight <input type="checkbox"/> 4. Purged <input type="checkbox"/> If yes which cleaning agent: _____ and which method of cleaning: _____ 1) if answered with "No" go to D.	<table style="width: 100%; border-collapse: collapse;"> <thead> <tr> <th style="width: 15%;"></th> <th style="width: 10%; text-align: center;">No¹⁾</th> <th style="width: 10%; text-align: center;">Yes</th> <th style="width: 10%; text-align: center;">No</th> <th style="width: 45%;"></th> <th style="width: 10%; text-align: center;">No¹⁾</th> <th style="width: 10%; text-align: center;">Yes</th> </tr> </thead> <tbody> <tr> <td></td> <td style="text-align: center;"><input type="checkbox"/></td> <td style="text-align: center;"><input type="checkbox"/></td> <td style="text-align: center;"><input type="checkbox"/></td> <td style="text-align: center;">→</td> <td style="text-align: center;"><input type="checkbox"/></td> <td style="text-align: center;"><input type="checkbox"/></td> </tr> <tr> <td></td> <td style="text-align: center;"><input type="checkbox"/></td> <td style="text-align: center;"><input type="checkbox"/></td> <td style="text-align: center;"><input type="checkbox"/></td> <td></td> <td style="text-align: center;"><input type="checkbox"/></td> <td style="text-align: center;"><input type="checkbox"/></td> </tr> <tr> <td></td> <td style="text-align: center;"><input type="checkbox"/></td> <td style="text-align: center;"><input type="checkbox"/></td> <td style="text-align: center;"><input type="checkbox"/></td> <td></td> <td style="text-align: center;"><input type="checkbox"/></td> <td style="text-align: center;"><input type="checkbox"/></td> </tr> <tr> <td></td> <td style="text-align: center;"><input type="checkbox"/></td> <td style="text-align: center;"><input type="checkbox"/></td> <td style="text-align: center;"><input type="checkbox"/></td> <td></td> <td style="text-align: center;"><input type="checkbox"/></td> <td style="text-align: center;"><input type="checkbox"/></td> </tr> <tr> <td></td> <td style="text-align: center;"><input type="checkbox"/></td> <td style="text-align: center;"><input type="checkbox"/></td> <td style="text-align: center;"><input type="checkbox"/></td> <td></td> <td style="text-align: center;"><input type="checkbox"/></td> <td style="text-align: center;"><input type="checkbox"/></td> </tr> <tr> <td></td> <td style="text-align: center;"><input type="checkbox"/></td> <td style="text-align: center;"><input type="checkbox"/></td> <td style="text-align: center;"><input type="checkbox"/></td> <td></td> <td style="text-align: center;"><input type="checkbox"/></td> <td style="text-align: center;"><input type="checkbox"/></td> </tr> </tbody> </table>		No ¹⁾	Yes	No		No ¹⁾	Yes		<input type="checkbox"/>	<input type="checkbox"/>	<input type="checkbox"/>	→	<input type="checkbox"/>	<input type="checkbox"/>		<input type="checkbox"/>	<input type="checkbox"/>	<input type="checkbox"/>		<input type="checkbox"/>	<input type="checkbox"/>		<input type="checkbox"/>	<input type="checkbox"/>	<input type="checkbox"/>		<input type="checkbox"/>	<input type="checkbox"/>		<input type="checkbox"/>	<input type="checkbox"/>	<input type="checkbox"/>		<input type="checkbox"/>	<input type="checkbox"/>		<input type="checkbox"/>	<input type="checkbox"/>	<input type="checkbox"/>		<input type="checkbox"/>	<input type="checkbox"/>		<input type="checkbox"/>	<input type="checkbox"/>	<input type="checkbox"/>		<input type="checkbox"/>	<input type="checkbox"/>
	No ¹⁾	Yes	No		No ¹⁾	Yes																																												
	<input type="checkbox"/>	<input type="checkbox"/>	<input type="checkbox"/>	→	<input type="checkbox"/>	<input type="checkbox"/>																																												
	<input type="checkbox"/>	<input type="checkbox"/>	<input type="checkbox"/>		<input type="checkbox"/>	<input type="checkbox"/>																																												
	<input type="checkbox"/>	<input type="checkbox"/>	<input type="checkbox"/>		<input type="checkbox"/>	<input type="checkbox"/>																																												
	<input type="checkbox"/>	<input type="checkbox"/>	<input type="checkbox"/>		<input type="checkbox"/>	<input type="checkbox"/>																																												
	<input type="checkbox"/>	<input type="checkbox"/>	<input type="checkbox"/>		<input type="checkbox"/>	<input type="checkbox"/>																																												
	<input type="checkbox"/>	<input type="checkbox"/>	<input type="checkbox"/>		<input type="checkbox"/>	<input type="checkbox"/>																																												
C. Description of processed substances (Please fill in absolutely)																																																		
1. What substances have come into contact with the equipment: Trade name and / or chemical term of service fluids and substances processed, properties of the substances; According to safety data sheet (e.g. toxic, inflammable, corrosive, radioactive) Tradename: _____ Chemical name: _____ a) _____ b) _____ c) _____ d) _____																																																		
2. Are these substances harmful? <input type="checkbox"/> No <input type="checkbox"/> Yes 3. Dangerous decomposition products when heated? <input type="checkbox"/> No <input type="checkbox"/> Yes If yes, which? _____																																																		
²⁾ Components contaminated by microbiological, explosive or radioactive products/substances will not be accepted without written evidence of decontamination.																																																		

D. Legally binding declaration

I / we hereby declare that the information supplied on this form is accurate and sufficient to judge any contamination level.

Name of authorised person (block letters): _____	
Date _____ Signature of authorised person _____	firm stamp

Sales and Service

Germany

Oerlikon Leybold Vacuum GmbH
Bonner Strasse 498
D-50968 Cologne
Phone: +49-(0)221-347 1234
Fax: +49-(0)221-347 1245
sales.vacuum@oerlikon.com
www.oerlikon.com/leyboldvacuum

**Oerlikon Leybold Vacuum GmbH
Sales Area North**
Branch Office Berlin
Industriestrasse 10b
D-12099 Berlin
Phone: +49-(0)30-435 609 0
Fax: +49-(0)30-435 609 10
sales.vacuum.bn@oerlikon.com

**Oerlikon Leybold Vacuum GmbH
Sales Office South**
Branch Office Munich
Karl-Hammerschmidt-Strasse 34
D-85609 Aschheim-Dornach
Phone: +49-(0)89-357 33 9-10
Fax: +49-(0)89-357 33 9-33
sales.vacuum.mn@oerlikon.com
service.vacuum.mn@oerlikon.com

**Oerlikon Leybold Vacuum GmbH
Service Competence Center**
Emil-Hoffmann-Strasse 43
D-50996 Cologne-Suerth
Phone: +49-(0)221-347 1538
Fax: +49-(0)221-347 1945
service.vacuum.kn@oerlikon.com

**Oerlikon Leybold Vacuum GmbH
Mobil Customer Service**
Emil-Hoffmann-Strasse 43
D-50996 Cologne-Suerth
Phone: +49-(0)221-347 2001
Fax: +49-(0)221-347 1944
service.vacuum.kn@oerlikon.com

**Oerlikon Leybold Vacuum
Dresden GmbH
Service Competence Center**
Zur Wetterwarte 50, Haus 304
D-01109 Dresden
Service:
Phone: +49-(0)351-88 55 00
Fax: +49-(0)351-88 55 041
info.vacuum.dr@oerlikon.com

Europe

Belgium

**Oerlikon Leybold Vacuum
Nederland B.V.
Belgisch bijkantoor**
Leuvensesteenweg 542-9A
B-1930 Zaventem
Sales:
Phone: +32-2-711 00 83
Fax: +32-2-720 83 38
sales.vacuum.zv@oerlikon.com
Service:
Phone: +32-2-711 00 82
Fax: +32-2-720 83 38
service.vacuum.zv@oerlikon.com

France

**Oerlikon Leybold Vacuum
France S.A.S.**
7, Avenue du Québec
Z.A. de Courtaboëuf
F-91140 Villebon-sur-yvette
Sales and Service:
Phone: +33-1-69 82 48 00
Fax: +33-1-69 07 57 38
info.vacuum.ctb@oerlikon.com
sales.vacuum.ctb@oerlikon.com

**Oerlikon Leybold Vacuum
France S.A.S.**
Valence Factory
640, Rue A. Bergès
B.P. 107
F-26501 Bourg-lès-Valence Cedex
Phone: +33-4-75 82 33 00
Fax: +33-4-75 82 92 69
marketing.vacuum.vc@oerlikon.com

Great Britain

**Oerlikon Leybold Vacuum
UK LTD.**
Silverglade Business Park
Leatherhead Road Unit 9
KT9 2QL Chessington, Surrey
(London)
Sales:
Phone: +44-13-7273 7300
Fax: +44-13-7273 7301
sales.vacuum.ln@oerlikon.com
Service:
Phone: +44-13-7273 7320
Fax: +44-13-7273 7303
service.vacuum.ln@oerlikon.com

Italy

**Oerlikon Leybold Vacuum
Italia S.r.l.**
Via Trasimeno 8
I-20128 Mailand
Sales:
Phone: +39-02-27 22 31
Fax: +39-02-27 20 96 41
sales.vacuum.mi@oerlikon.com
Service:
Phone: +39-02-27 22 31
Fax: +39-02-27 22 32 17
service.vacuum.mi@oerlikon.com

Netherlands

**Oerlikon Leybold Vacuum
Nederland B.V.**
Proostwetering 24N
NL-3543 AE Utrecht
Sales and Service:
Phone: +31-(30) 242 6330
Fax: +31-(30) 242 6331
sales.vacuum.ut@oerlikon.com
service.vacuum.ut@oerlikon.com

Switzerland

**Oerlikon Leybold Vacuum
Schweiz AG**
Leutschenbachstrasse 55
CH-8050 Zürich
Sales:
Phone: +41-44-308 40 50
Fax: +41-44-302 43 73
sales.vacuum.zh@oerlikon.com
Service:
Phone: +41-44-308 40 62
Fax: +41-44-308 40 60
service.vacuum.zh@oerlikon.com

Spain

**Oerlikon Leybold Vacuum
Spain, S.A.**
C/ Huelva 7
E-08940 Cornellà de Llobregat
(Barcelona)
Sales:
Phone: +34-93-666 43 11
Fax: +34-93-666 43 70
sales.vacuum.ba@oerlikon.com
Service:
Phone: +34-93-666 46 16
Fax: +34-93-685 43 70
service.vacuum.ba@oerlikon.com

America

USA

**Oerlikon Leybold Vacuum
USA Inc.**
5700 Mellon Road
USA-Export, PA 15632
Phone: +1-724-327-5700
Fax: +1-724-325-3577
info.vacuum.ex@oerlikon.com
Sales:
Phone: +1-724-327-5700
Fax: +1-724-333-1217
Service:
Phone: +1-724-327-5700
Fax: +1-724-325-3577

Brazil

**Oerlikon Leybold Vacuum
Brasil**
Rod. Vice-Prefeito Hermenegildo Tonoli,
nº. 4413 - 6B
Distrito Industrial
Jundai - SP
CEP 13.212-315
Sales and Service:
Phone: +55 11 2152 0499
Fax: +55 11 99467 5934
sales.vacuum.ju@oerlikon.com
service.vacuum.ju@oerlikon.com

Asia

P. R. China

**Oerlikon Leybold Vacuum (Tianjin)
International Trade Co. Ltd.**
Beichen Economic
Development Area (BEDA),
No.8 Western Shuangchen Road
Tianjin 300400
China
Sales and Service:
Phone: +86-22-2697 0808
Fax: +86-22-2697 4061
Fax: +86-22-2697 2017
sales.vacuum.tj@oerlikon.com
service.vacuum.tj@oerlikon.com

India

**Oerlikon Leybold Vacuum
India Pvt Ltd.**
No. 82(P), 4th Phase
K.I.A.D.B. Plot
Bommasandra Industrial Area
Bangalore - 560 099
India
Sales and Service:
Phone: +91-80-2783 9925
Fax: +91-80-2783 9926
sales.vacuum.pu@oerlikon.com
service.vacuum.pu@oerlikon.com

Japan

**Oerlikon Leybold Vacuum
Japan Co., Ltd.**
Headquarter
23-3, Shin-Yokohama
3-chome
Tobu A.K. Bldg. 4th Floor
Kohoku-ku
Yokohama-shi 222-0033
Sales:
Phone: +81-45-471-3330
Fax: +81-45-471-3323
info.vacuum.yh@oerlikon.com
sales.vacuum.yh@oerlikon.com

**Oerlikon Leybold Vacuum
Japan Co., Ltd.**
Tsukuba Technical Service Center
1959, Kamiyokoba
Tsukuba, Ibaraki
305-0854 Japan
Service:
Phone: +81-29 839 5480
Fax: +81-29 839 5485
service.vacuum.iik@oerlikon.com

Malaysia

**Oerlikon Leybold Malaysia
Oerlikon Leybold Vacuum
Singapore Pte Ltd.**
No. 1 Jalan Hi-Tech 2/6
Kulim Hi-Tech Park
Kulim, Kedah Darul
Aman 09000
Malaysia
Sales and Service:
Phone: +604 4020 222
Fax: +604 4020 221
sales.vacuum.ku@oerlikon.com
service.vacuum.ku@oerlikon.com

South Korea

**Oerlikon Leybold Vacuum
Korea Ltd.**
3F, Jellzone 2 Tower
Jeongja-dong 159-4
Bundang-gu Sungnam-si
Gyeonggi-do
Bundang 463-384, Korea
Sales:
Phone: +82-31 785 1367
Fax: +82-31 785 1359
sales.vacuum.bd@oerlikon.com
Service:
623-7, Upsung-Dong
Cheonan-Si
Chungcheongnam-Do
Korea 330-290
Phone: +82-41 589 3035
Fax: +82-41 588 0166
service.vacuum.cn@oerlikon.com

Singapore

**Oerlikon Leybold Vacuum
Singapore Pte Ltd.**
8 Commonwealth Lane
#01-01, Singapore 149555
Singapore
Sales and Service:
Phone: +65-6303 7030
Fax: +65-6773 0039
sales.vacuum.sg@oerlikon.com
service.vacuum.sg@oerlikon.com

Taiwan

**Oerlikon Leybold Vacuum
Taiwan Ltd.**
No 416-1, Sec. 3
Chunghsin Road., Chutung
Hsinchu County 310
Taiwan, R.O.C.
Sales and Service:
Phone: +886-3-600 1688
Fax: +886-3-583 3999
sales.vacuum.hc@oerlikon.com
service.vacuum.hc@oerlikon.com

**Oerlikon
Leybold Vacuum GmbH**
Bonner Strasse 498
D-50968 Cologne
Phone: +49-(0)221-347 0
Fax: +49-(0)221-347 1250
info.vacuum@oerlikon.com

oerlikon
leybold vacuu
www.oerlikon
leyboldvacuu