



Agilent Technologies

Vacuum Products Division



FOR SALES AND SERVICE PLEASE CALL:

PTB SALES T :: 866.332.0500
F :: 626.334.2151
www.ptbsales.com

SALES

DATE SERVICED: _____

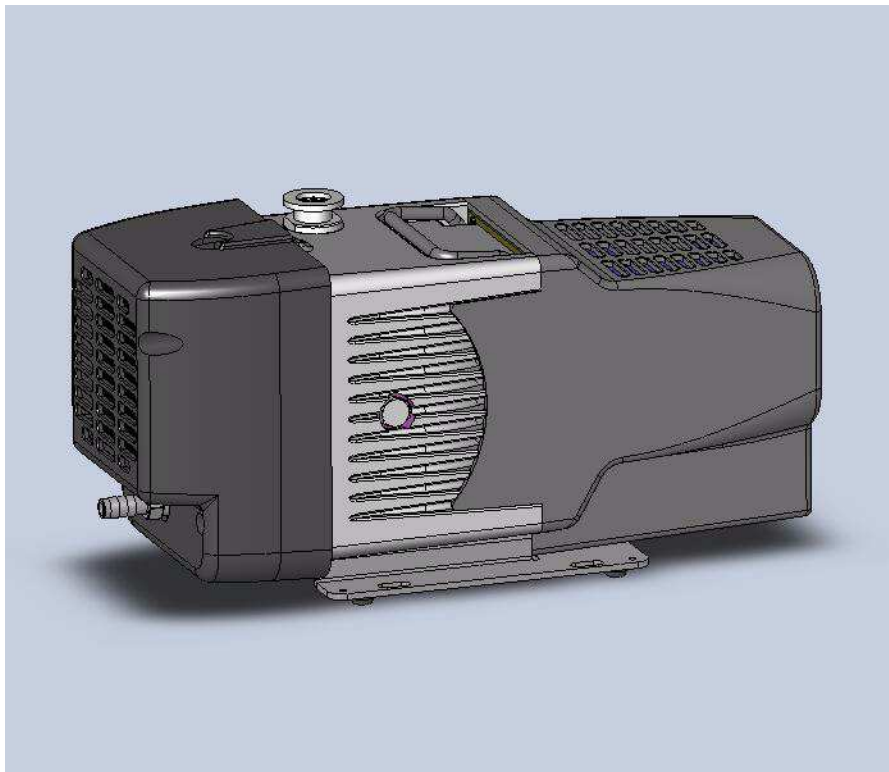
VIEW OUR INVENTORY

IDP-3 Dry Scroll Vacuum Pump

INSTRUCTION MANUAL

Manual No. 699904350
Revision D
September 2009

IDP-3 Dry Scroll Vacuum Pump



Warranty

Products manufactured by Seller are warranted against defects in materials and workmanship for twelve (12) months from date of shipment thereof to Customer, and Seller's liability under valid warranty claims is limited, at the option of Seller, to repair, to replace, or refund of an equitable portion of the purchase price of the Product. Items expendable in normal use are not covered by this warranty. All warranty replacement or repair of parts shall be limited to equipment malfunctions which, in the sole opinion of Seller, are due or traceable to defects in original materials or workmanship. All obligations of Seller under this warranty shall cease in the event of abuse, accident, alteration, misuse, or neglect of the equipment. In-warranty repaired or replaced parts are warranted only for the remaining unexpired portion of the original warranty period applicable to the repaired or replaced parts. After expiration of the applicable warranty period, Customer shall be charged at the then current prices for parts, labor, and transportation.

Reasonable care must be used to avoid hazards. Seller expressly disclaims responsibility for loss or damage caused by use of its Products other than in accordance with proper operating procedures.

Except as stated herein, Seller makes no warranty, expressed or implied (either in fact or by operation of law), statutory or otherwise; and, except as stated herein, Seller shall have no liability under any warranty, expressed or implied (either in fact or by operation of law), statutory or otherwise. Statements made by any person, including representatives of Seller, which are inconsistent or in conflict with the terms of this warranty shall not be binding upon Seller unless reduced to writing and approved by an officer of Seller.

Warranty Replacement and Adjustment

All claims under warranty must be made promptly after occurrence of circumstances giving rise thereto, and must be received within the applicable warranty period by Seller or its authorized representative. Such claims should include the Product serial number, the date of shipment, and a full description of the circumstances giving rise to the claim. Before any Products are returned for repair and/or adjustment, written authorization from Seller or its authorized representative for the return and instructions as to how and where these Products should be returned must be obtained. Any Product returned to Seller for examination shall be prepaid via the means of transportation indicated as acceptable by Seller. Seller reserves the right to reject any warranty claim not promptly reported and any warranty claim on any item that has been altered or has been returned by non-acceptable means of transportation. When any Product is returned for examination and inspection, or for any other reason, Customer shall be responsible for all damage resulting from improper packing or handling, and for loss in transit, notwithstanding any defect or non-conformity in the Product. In all cases, Seller has the sole responsibility for determining the cause and nature of failure, and Seller's determination with regard thereto shall be final.

If it is found that Seller's Product has been returned without cause and is still serviceable, Customer will be notified and the Product returned at the Customer's expense; in addition, a charge for testing and examination may be made on Products so returned.

3/1/00

IDP-3 Dry Scroll Vacuum Pump

This page intentionally left blank.

Contents

| | |
|---|------------|
| Warranty | iii |
| Warranty Replacement and Adjustment | iii |
| Instructions for Use | 1 |
| General Information | 1 |
| Storage | 1 |
| Installation | 2 |
| Use | 2 |
| Maintenance | 2 |
| Technical Information | 3 |
| Unpacking and Inspection | 6 |
| Installation | 7 |
| Safety | 7 |
| Startup | 7 |
| Electrical Connections | 7 |
| Run Currents | 10 |
| Start Current | 10 |
| Mechanical Connections | 11 |
| Operation | 11 |
| Cleaning the Pump | 11 |
| Startup Procedure | 11 |
| Shutdown Procedure | 11 |
| IDP-3 Inlet Valve Kit | 12 |
| Model Selection | 12 |
| Installation | 13 |
| Troubleshooting | 15 |
| Maintenance | 16 |
| Kits and Service Options | 16 |
| Cleaning | 16 |
| Tip Seal Replacement | 16 |
| Pump Module Replacement | 18 |

Request for Return Health and Safety Certification

List of Figures

| Figure Caption | Page |
|--|-------------|
| Interface Drawing with Dimensions (AC Version) | 4 |
| Interface Drawing with Dimensions (DC Version) | 5 |
| Outline Drawing and Principal Items | 6 |
| Adjustable Speed Control Connection | 8 |
| RPM. vs. 0-10 V Speed Control Signal | 8 |
| Grounding Plug and Outlet | 9 |
| ON/OFF Power Switch | 11 |
| IDP-3 with Inlet Valve | 12 |
| Mount Inlet Valve with IDP-3 Pump | 13 |
| 24 VDC Rev Inlet Valve Kit | 14 |
| Tip Seal Seating | 17 |
| Exploded View of Pump Body | 18 |
| Module Replacement - Exploded View | 19 |

| Table | Title | Page |
|--------------|---|-------------|
| 1 | Specifications | 3 |
| 2 | IDP-3 Power Cord Selection | 7 |
| 3 | IDP-3 Typical Run Currents (A) | 10 |
| 4 | Typical IDP-3 Maximum Starting Current and Duration | 10 |
| 5 | Inlet Valve Kit Selection | 12 |
| 6 | IDP-3 Model Numbers with Inlet Valve. | 12 |
| 7 | Technical Specifications | 13 |
| 8 | Troubleshooting Chart. | 14 |
| 9 | Tip Seal Replacement Kit | 15 |

IDP-3 Dry Scroll Vacuum Pump

This page intentionally left blank.

Declaration of Conformity
Konformitätserklärung
Déclaration de Conformité
Declaración de Conformidad
Verklaring de Overeenstemming
Dichiarazione di Conformità
一致性声明
適合宣言
적합성 선언



Agilent Technologies

We
Wir
Nous
Nosotros
Wij
Noi
我们
私たち
우리는

Agilent, Inc.
121 Hartwell Avenue
Lexington, MA, 02421-3133 USA

declare under our sole responsibility that the product,
erklären, in alleniniger Verantwortung, daß dieses Produkt,
déclarons sous notre seule responsabilité que le produit,
declaramos, bajo nuestra sola responsabilidad, que el producto,
verklaren onder onze verantwoordelijkheid, dat het product,
dichiariamo sotto nostra unica responsabilità, che il prodotto,
基于独立承担责任的原则, 特声明
は、当社単独の責任の下、この宣言が該当する製品
당사의 책임하에

IDP-3 Dry Scroll Vacuum Pump

to which this declaration relates is in conformity with the following standard(s) or other normative documents.
auf das sich diese Erklärung bezieht, mit der/den flogenden Norm(en) oder Richtlinie(n) übereinstimmt.
auquel se réfère cette déclaration est conforme à la (aux) norme(s) ou au(x) document(s) normatif(s).
al que se refiere esta declaración es conforme a la(s) norma(s) u otro(s) documento(s) normativo(s).
waamaar deze verklaring verwijst, aan de volende norm(en) of richtlijn(en) beantwoordt.
a cui se riferisce questa dichiarazione è conforme alla/e sequente/l norma/o documento/l normativo/i.
符合以下标准或其它标准文档要求。
が、以下の規格またはその他の基準書類に適合することを宣言します。
이 선언과 관련한 제품이 다음의 표준과 기타 표준 문서를 준수한다는 것을 선언합니다.

to which this declaration relates is in conformity with the following standards:

- 89/392/EEC Safety Requirements
- EN 60204-1 Safety of Machinery
- EN 61010-1 Safety Requirements
- EN 61000-6-2 EMC Immunity
- EN 61000-6-4 EMC Emissions
- EN 61326 EMC Immunity and Emissions

John Ehmann
Operations Manager
Agilent, Inc.
Vacuum Products Division
Lexington, Massachusetts, USA
October 2006

Instructions for Use

General Information

This equipment is designed for use by professionals. The user should read this instruction manual and any other additional information supplied by Agilent before operating the equipment. Agilent will not be held responsible for any events that occur due to non-compliance with these instructions, improper use by untrained persons, non-authorized interference with the equipment, or any action contrary to that provided for by specific national standards.

The IDP-3 is a hermetic, dry scroll vacuum pump. This pump is suitable for pumping air or inert gases. The pump is not intended to pump corrosive, explosive, or particulate-forming gases.

The following paragraphs contain all the information necessary to guarantee the safety of the operator when using the equipment. Detailed information is supplied in "Technical Information" on page 3.

This manual uses the following standard safety protocol:

WARNING



The warning messages are for attracting the attention of the operator to a particular procedure or practice which, if not followed correctly, could lead to serious injury.

CAUTION



The caution messages are displayed before procedures, which if not followed, could cause damage to the equipment.

NOTE



The notes contain important information taken from the text.

Storage

When transporting and storing the pump, the following environmental requirements should not be exceeded:

Temperature: -20 °C to +60 °C (-4 °F to 140 °F)

Relative humidity: 0 to 95% (non-condensing)

Preparation for Installation

The pump is supplied in a special protective packing. If this shows signs of damage, which may have occurred during transport, contact your local sales office.

Total weight of the packing, IDP-3 pump included, is approximately 10.5 kg (23 lbs).

WARNING



When unpacking the pump, be sure not to drop it and avoid any kind of sudden impact or shock vibration to it.

NOTE



Normal exposure to the environment cannot damage the pump. Nevertheless, it is advisable to keep the pump inlet closed until the pump is installed in the system.

IDP-3 Dry Scroll Vacuum Pump

Installation

Do not install or use the pump in an environment exposed to atmospheric agents (rain, snow, ice), dust, aggressive gases, or in explosive environments or those with a high fire risk.

If placing the IDP-3 pump inside an enclosure, provide ample room to supply ambient air to both the front and rear air intakes of the pump.

During operation, the following environmental conditions must be respected:

Temperature: +5 °C to +40 °C (41 °F to 104 °F)

Relative humidity: 0 to 95% (non-condensing)

There are four versions of the IDP-3:

- 100 VAC, 50/60 Hz
- 115 VAC, 60 Hz
- 220-230 VAC, 50/60 Hz
- 24 VDC

CAUTION



Be certain that your electrical mains power voltage corresponds to that indicated on the rear of the pump.

For the:

- AC version, connect the pump to the power supply using an IEC-320 style power cord of at least 10 A capacity.
- DC version, connect to the power supply using the power cord supplied with the pump.

CAUTION



Never disturb the two hex head bolts on either side of the pump. Disturbing these bolts will cause loss of performance and/or pump damage.

Use

In order to reach maximum vacuum, the pump must be left running for about an hour with the inlet sealed.

There are no special instructions for starting the pump; it need only be switched on using the On/Off switch.

WARNING



The pump is designed for operation with neutral or noncorrosive fluids. It is absolutely forbidden to use it with potentially explosive or inflammable substances.

There are no special instructions for stopping the pump; it need only be disconnected from the electric power source by the On/Off switch.

Maintenance

Personnel responsible for pump operation and maintenance must be well-trained and aware of the accident prevention rules.

WARNING



Death may result from contact with high voltages. Always take extreme care and observe the accident prevention regulations in force.

When machine is powered up, be careful of moving parts and high voltages.

If you have to perform maintenance on the pump after a considerable time in operation, allow it to cool as the temperature of the outer surface may be in excess of 60 °C.

Always disconnect your power supply to the pump before beginning maintenance work.

NOTE



Before returning the pump to the factory for repair, the "Health and Safety" sheet attached to this instruction manual must be completed and sent to the local sales office. A copy of the sheet must be inserted in the pump package before shipping.

If a pump is to be discarded, it must be disposed of in accordance with specific national standards.

Technical Information

Table 1 Specifications

| | |
|---|---|
| Model | IDP-3 Dry Scroll Single Hermetic Vacuum Pump |
| Interface dimensions | See Figure 1 on page 4 |
| Peak pumping speed | <input type="checkbox"/> 50 Hz: 50 L/m, 3.0 m ³ /hr (1.8 cfm) <input type="checkbox"/> 60 Hz: 60 L/m, 3.6 m ³ /hr (2.1 cfm) <input type="checkbox"/> 24 VDC: 60 L/m, 3.6 m ³ /hr (2.1 cfm) at full speed setting |
| Media | No corrosive, explosive or particulate forming gases |
| Ultimate pressure | 2.5×10^{-1} Torr (3.3×10^{-1} mbar) |
| Maximum inlet pressure | 1.0 atmosphere (0 psig) |
| Maximum outlet pressure | 6.5 psig |
| Inlet connection | NW16 |
| Exhaust connection | Female 1/4" National Pipe Thread (10 mm hose barb provided) |
| Gas ballast | Female 1/8" National Pipe Thread (adapter provided) |
| Ambient operating temperature | 5 °C to 45 °C (41 °F to 113 °F) |
| Storage temperature | -20 °C to 60 °C (-4 °F to 140 °F) |
| Motor rating | <input type="checkbox"/> AC: 0.16 HP (0.12 kW) <input type="checkbox"/> DC: 0.16 HP (0.12 KW) Peak rating: 0.27 HP (0.20 KW) |
| Operating voltages | <input type="checkbox"/> 1 phase/ 100 VAC, 50/60 Hz <input type="checkbox"/> 1 phase/ 115 VAC, 60 Hz <input type="checkbox"/> 1 phase/ 220-230 VAC, 50/60 Hz <input type="checkbox"/> 24 VDC |
| Run current | See Table 3 on page 10 |
| Motor thermal protection | Automatic thermal protection |
| Operating speed | <input type="checkbox"/> 60 Hz: 3200 RPM, 50 Hz: 2600 RPM <input type="checkbox"/> 24V DC: variable speed, factory setting@ 3200 RPM |
| Cooling system | Air-cooled |
| Weight | Pump only: 9.5 kg (21 lbs) Shipping weight: 10.5 kg (23 lbs) |
| Leak rate (with exhaust and gas ballast sealed) | $<1 \times 10^{-6}$ sccs helium |
| Vibration level at inlet, per ISO 10816-1 | ≤ 1.5 mm/sec |
| Noise level, per ISO 11201 | ≤ 55 dBA |
| Conformance standards | See Declaration of Conformity |

IDP-3 Dry Scroll Vacuum Pump

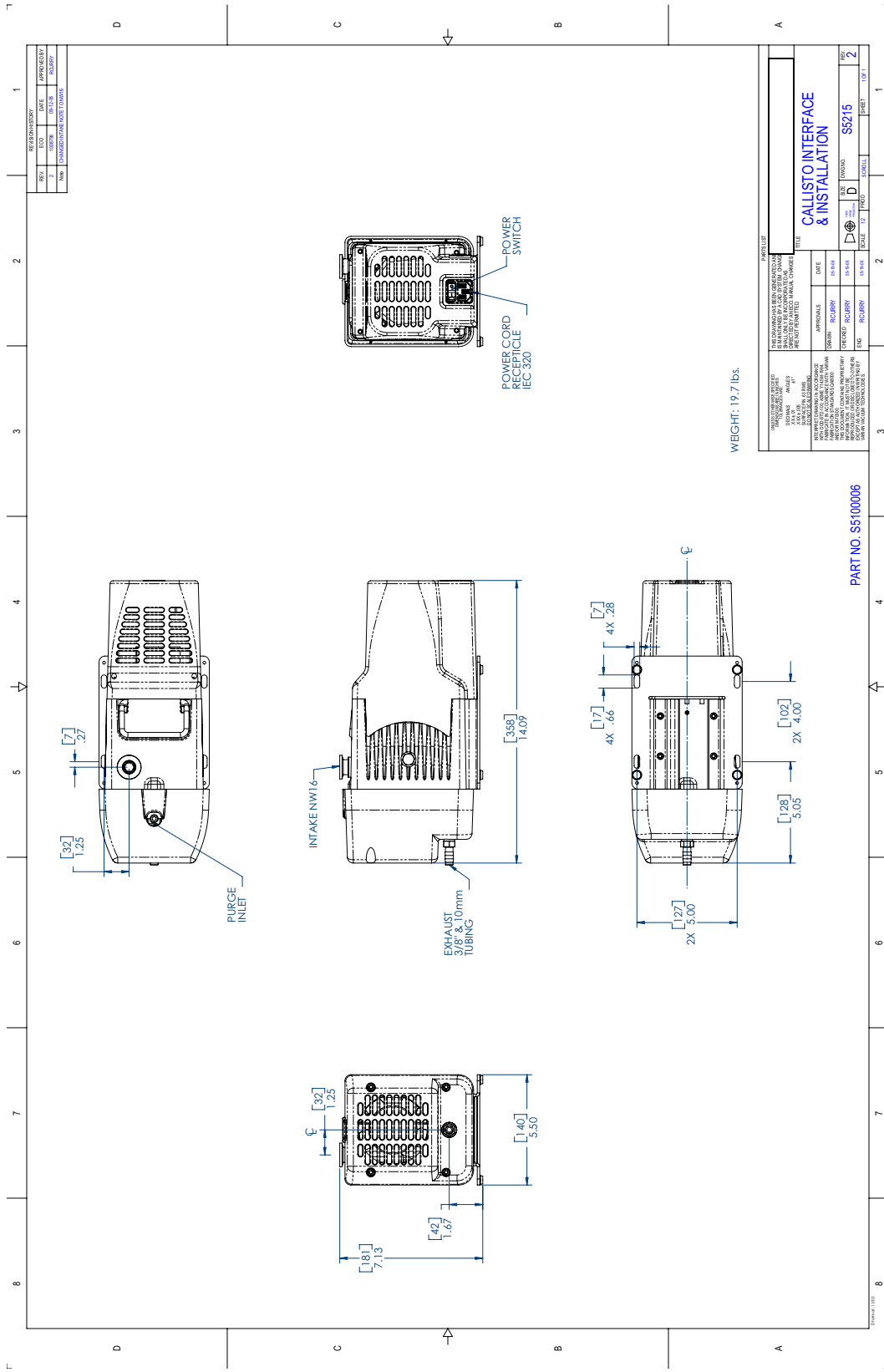


Figure 1 Interface Drawing with Dimensions (AC Version)

IDP-3 Dry Scroll Vacuum Pump

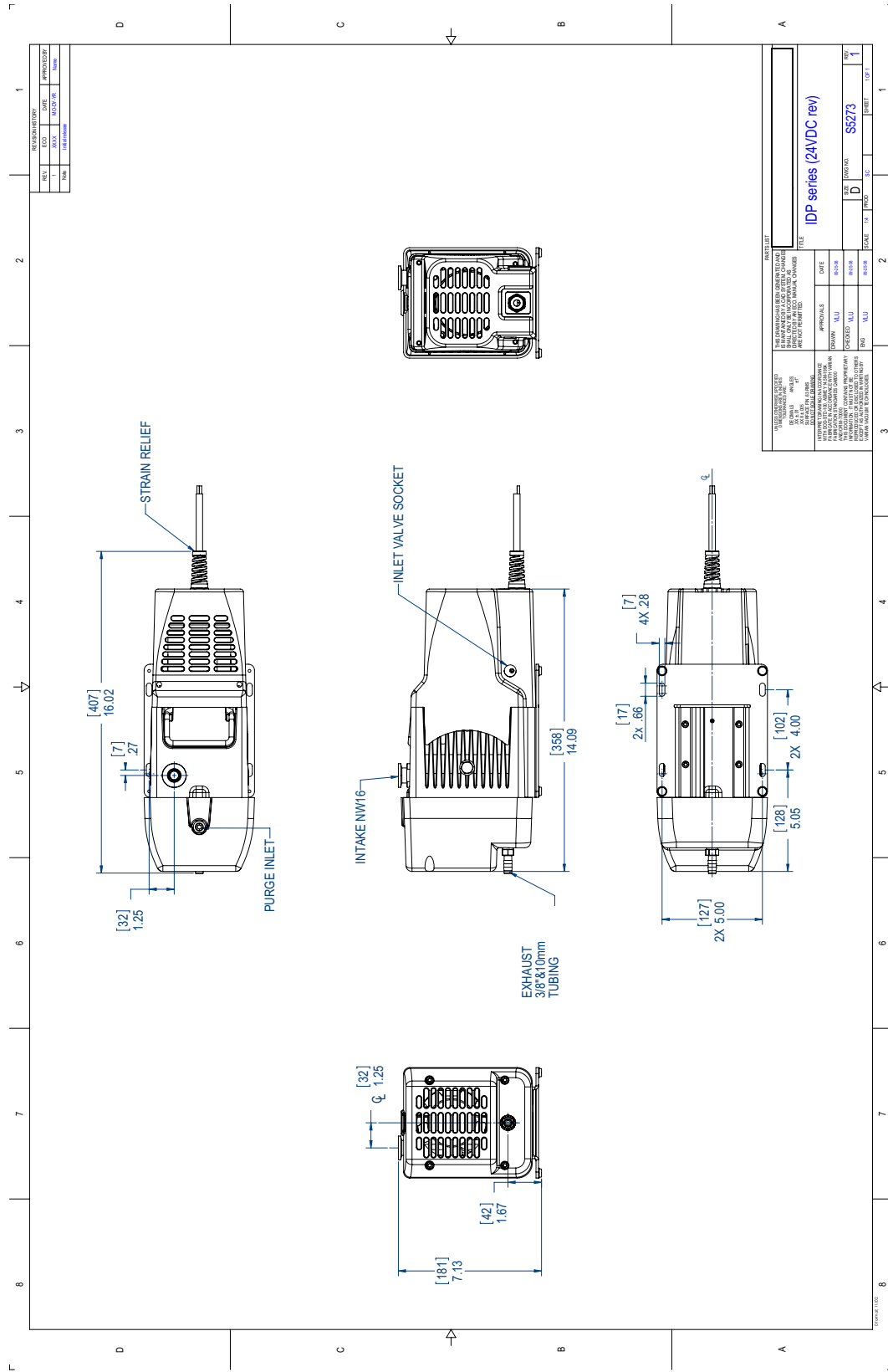


Figure 2 Interface Drawing with Dimensions (DC Version)

IDP-3 Dry Scroll Vacuum Pump

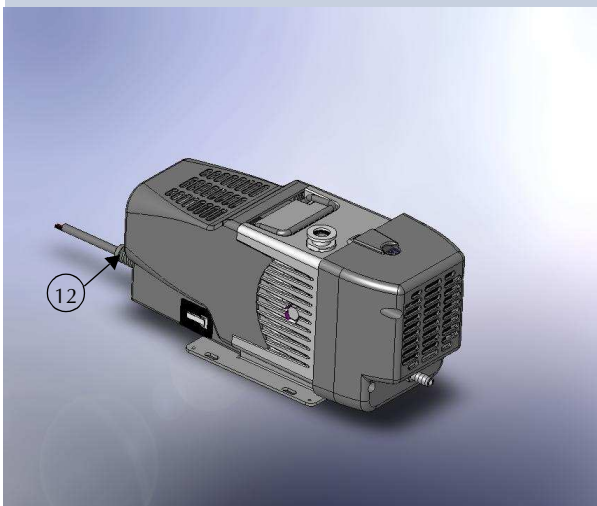
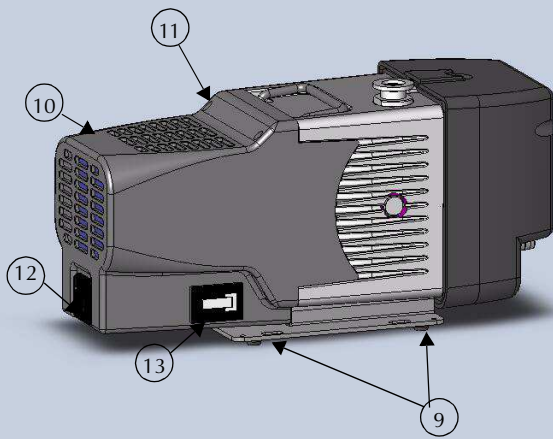
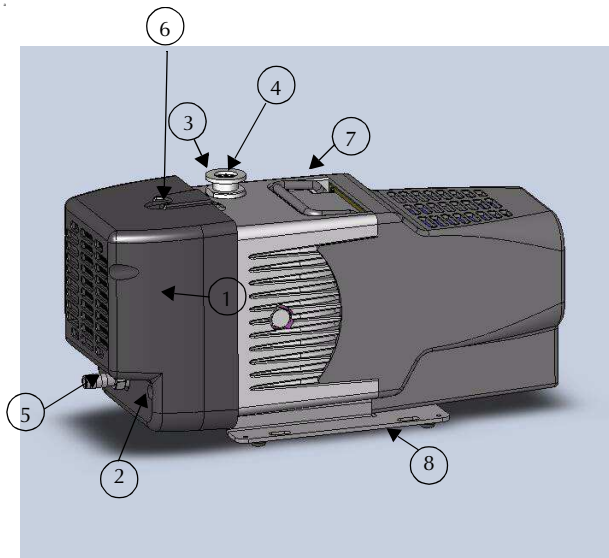


Figure 3 Outline Drawing and Principal Items

1. Front Cowling Screws; M5 (4)
2. Front Cowling
3. Inlet (NW16)
4. Inlet Screen
5. 10 mm Hose Barb
6. Gas Ballast Port (1/8" NPT adapter provided)
7. Frame
8. Base
9. Mounting Holes; (4) for 1/4" or M6 Hardware
10. Rear Cowling
11. Rear Cowling Screws: M5 (4)
12. On/Off Switch/Power Connection (IEC-320) or power cord with free leads for DC version
13. Hour Meter (optional)

Unpacking and Inspection

1. Orient the shipping container with *This End Up* on top.
2. Open the box and carefully lift the IDP-3 and foam blocks out of the box. Remove the foam blocks.
3. Save the carton and all packing materials.
4. Inspect the pump for damage. If there is shipping damage, contact the freight carrier and your local Agilent sales office immediately.

IDP-3 Dry Scroll Vacuum Pump

Installation

Safety

Do not remove or modify any safety or insulating equipment from the pump. To do so may create a serious safety hazard and may void the warranty.

WARNING



❑ *This pump is capable of pumping air and inert gases only. It is not designed to pump explosive, flammable, corrosive or particulate forming gases. They can cause bodily injury, explosion, or fire.*

❑ *Install in an area that is not exposed to rain, steam, or excessive humidity. They can cause electric shock, short circuits, and severe bodily injury.*

❑ *Before inspecting or servicing the pump, be sure the electrical supply is disconnected.*

❑ *The gas ballast must be sealed whenever pumping any gas not intended to be vented to the atmosphere.*

CAUTION



Although the pump can pump trace particulates normally found in the atmosphere, it is not designed to process solids, chemicals, powders, solvents, condensates, or other particulates. They can damage the equipment, degrade its performance, or shorten its useful life.

There are four versions of the IDP-3:

- ❑ 100 VAC, 50/60 Hz
- ❑ 115 VAC, 60 Hz
- ❑ 220-230 VAC, 50/60 Hz
- ❑ 24 VDC

CAUTION



Ensure that the pump version conforms to the supply voltage before using.

Startup

1. Check that the inlet screen is installed before beginning operation.

WARNING



Do not insert a finger or any foreign object in the path of the fan; serious personal injury may result or the pump may be damaged.

2. Operate the pump at an ambient temperature of 5 °C to 45 °C (41 °F to 113 °F), otherwise damage to the pump or shortened operating life may result.

CAUTION



Do not block the fan ducts. Blocking these ducts can cause pump overheating. A pump surface temperature in excess of 65 °C (150 °F) is potentially damaging. If such conditions are observed, turn the pump off and allow it to cool. Disassemble, inspect for damage, and repair, if necessary.

Electrical Connections

Power Cord

Several power cord options are available from your Agilent dealer. Descriptions of the available power cords and their ordering numbers are given in Table 2.

NOTE



For high voltage operation, the pump must be connected to the power supply using a high voltage IEC-320 type power cord of at least 10 A capacity.

CAUTION



Be certain that your electrical mains power voltage corresponds to that indicated on the rear of the pump.

Table 2 IDP-3 Power Cord Selection

| Country | Power Cord Specification | Order |
|-------------|---------------------------|-----------|
| Europe | 10 A / 220-230 VAC, 2.5 m | 656494220 |
| Denmark | 10 A / 220-230 VAC, 2.5 m | 656494225 |
| Switzerland | 10 A / 230 VAC, 2.5 m | 656494235 |
| UK/Ireland | 13 A / 230 VAC, 2.5 m | 656494250 |

IDP-3 Dry Scroll Vacuum Pump

Table 2 IDP-3 Power Cord Selection (Continued)

| Country | Power Cord Specification | Order |
|---------------|---------------------------|-----------|
| India | 10 A / 220-250 VAC, 2.5 m | 656494245 |
| Israel | 10 A / 230 VAC, 2.5 m | 656494230 |
| Japan | 12 A / 100 VAC, 2.3 m | 656494240 |
| North America | 15 A / 125 VAC, 2.0 m | 656458203 |
| | 10 A / 230 VAC, 2.5 m | 656494255 |

Power Cord (24 VDC)

The 24 VDC configuration power cord five wires. The red and black 16AWG wires are for the power supply. Connect the red wire to the positive and the black wire to the negative of the 24 VDC power supply.

The 24 VDC IDP-3 also provides a variable speed function in two ways: a 0-10 VDC signal, or an adjustable resistor. There are three 22AWG wires: white, blue and yellow. To use the 0-10 VDC signal to control the speed:

- Connect the white to the positive, and the blue to the negative (Figure 4).

The motor runs at full speed without any control signal (factory setting).

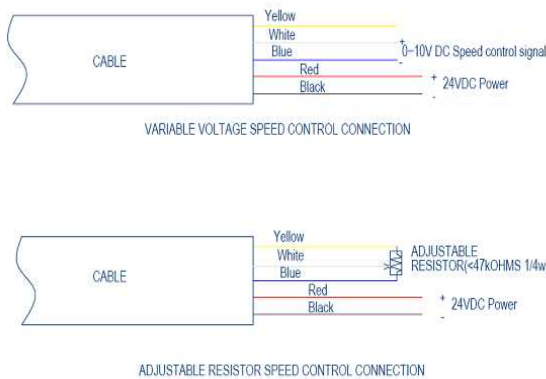


Figure 4 Adjustable Speed Control Connection

The minimum rotation speed of the motor is 2200 rpm $\pm 10\%$ * when the control is between 0-2.6 V. The motor reaches the full speed when the signal is 8.2 to 10 V. Speed increases proportionally between 2.6 and 8.2 V (Figure 5).

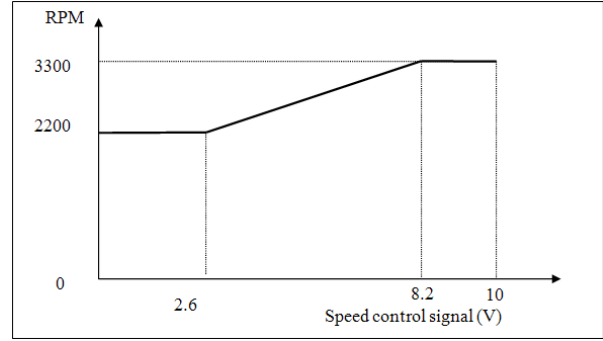


Figure 5 RPM. vs. 0-10 V Speed Control Signal

*RPM varies with power supply's voltage. Generally, the higher the power voltage is, the higher rotating speed. Base pressure decreases and power consumption increases as the RPM increases.

For the 9 digital model of IDP3 DC version, the speed control function is not available. There will be just black and red 16AWG wires for the 24 VDC power supply.

Grounding Instructions

This product should be grounded. In the event of an electrical short circuit, grounding reduces the risk of electric shock by providing an escape wire for the electric current. This pump is equipped with a power cord that has a grounding wire with an appropriate grounding plug. The plug must be inserted into an outlet that is properly installed and grounded in accordance with all local codes and ordinances.

IDP-3 Dry Scroll Vacuum Pump

DANGER



Improper installation of the grounding plug can result in a risk of electrical shock.

For United States and Canadian installations:

- ❑ When this product is configured for use on a nominal 120 V circuit, it must be used with a grounding plug that looks like the plug illustrated in Figure 6.
- ❑ If repair or replacement of the cord or plug is necessary, connect the grounding wire to the grounding terminal only.
- ❑ The grounding wire is insulated and its outer surface is green. It may or may not have yellow stripes.
- ❑ When this product is configured for use on a nominal 220 V circuit, it must be used with a factory supplied cord and plug that permits connection to the proper electric circuit. See “Electrical Connections” on page 7 for proper rating and type of cord set.

WARNING



Check with a qualified electrician or serviceman if the grounding instructions are not completely understood, or if you are in doubt as to whether the product is properly grounded.

Do not modify the plug provided; if it does not fit the outlet, have the proper outlet installed by a qualified electrician.

Connect the product only to an outlet that has the same configuration as the plug.

Do not use an adapter with this product.

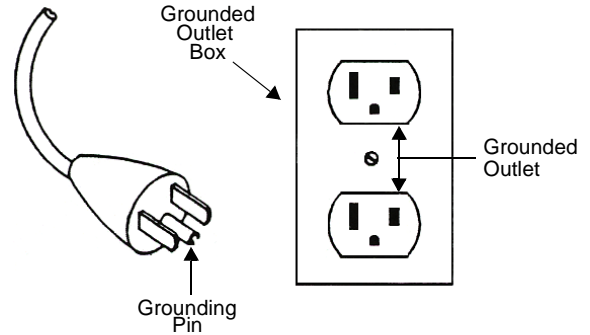


Figure 6 Grounding Plug and Outlet

WARNING



If the product must be reconnected for use on a different type of electric circuit, the connector should be replaced by qualified service personnel.

Grounding Instructions (DC version)

NOTE



Ensure the 24 VDC power supply and 0-10 V power supply are grounded according to the correct practice.

Extension Cords

If you must use an extension cord with this product:

- ❑ For this product, Agilent recommends using only extension cords with a minimum of 16-gage wire and a maximum length of 25 feet (7.6 m).
- ❑ Use only a 3-wire extension cord that will accept the plug.
- ❑ Make sure your extension cord is in good condition.
- ❑ Be sure the extension cord is rated high enough to carry the current your product will draw. An undersized cord will cause a drop in line voltage resulting in loss of power and overheating.

IDP-3 Dry Scroll Vacuum Pump

Run Currents

Typical run currents listed in Table 3 are approximately constant from minimum to maximum intake pressure.

Table 3 IDP-3 Typical Run Currents (A)

| Frequency | 100 V Nominal | | | 115 V Nominal | | | 220 - 230 V Nominal | | | |
|-------------------|---------------|-------|--------|---------------|-------|-------|---------------------|-------|-------|-------|
| | 90 V | 100 V | 110 V | 103.5 V | 115 V | 127 V | 198 V | 220 V | 230 V | 253 V |
| 60 Hz | 2.3 | 2.2 | 2.2 | 1.8 | 1.8 | 1.8 | 1.1 | 1.1 | 1.1 | 1.1 |
| 50 Hz | 1.6 | 1.6 | 1.8 | N/A | N/A | N/A | 0.8 | 0.8 | 0.8 | 1.0 |
| DC Version | 24 V Nominal | | | | | | | | | |
| | 21.6 V | 24 V | 26.4 V | | | | | | | |
| | 6.8 | 7.5 | 8.2 | | | | | | | |

Start Current

Table 4 lists the typical IDP-3 maximum starting current and duration.

Table 4 Typical IDP-3 Maximum Starting Current and Duration

| Mains Voltage | 50 Hz | | 60 Hz | | DC | |
|---------------|-------------|-----------|-------------|-----------|-------------|-----------|
| | Current (A) | Time (ms) | Current (A) | Time (ms) | Current (A) | Time (ms) |
| 100 V | 2.8 | 300 | 2.8 | 500 | N/A | N/A |
| 115 V | N/A | N/A | 3.3 | 500 | N/A | N/A |
| 220 V | 1.3 | 300 | 1.3 | 500 | N/A | N/A |
| 230 V | 1.4 | 300 | 1.4 | 300 | N/A | N/A |
| 24 V | N/A | N/A | N/A | N/A | 15 | 300 ms |

IDP-3 Dry Scroll Vacuum Pump

Mechanical Connections

Pump Inlet

Use NW16, or larger, clean vacuum hardware with as short a length as practical between the pump and vacuum chamber.

Insert a bellows between the pump and vacuum chamber to provide both vibration isolation and strain relief.

Pump Exhaust

A female 1/4" National Pipe Thread exhaust fitting is located on the front of the pump. Additionally, a 10 mm (3/8") hose barb fitting is provided. To avoid overheating the pump, do not restrict the exhaust flow with long lengths of small diameter tubing. Use as short as practical lengths of 10 mm ID, or larger, diameter hardware.

Gas Ballast

The pump incorporates an automatic gas ballast to prevent water and other condensates from accumulating within the pump. The standard configuration has a seal screw installed in the 1/4-20 thread in the top of the exhaust manifold (item 6 on Figure 3 on page 6). This configuration can be used for relatively dry applications. When appreciable amounts of water, solvents, etc., are being pumped, remove the seal screw and replace it with the provided adapter and 1/8" NPT sintered filter plug. Do not exceed 25 in-lb of torque when installing the adapter into the manifold.

For applications where the ingress of atmospheric air is undesirable, dry nitrogen at a flow rate of approximately 5 l/min can be provided to the gas ballast. Remove the 1/8" NPT sintered filter plug from the adapter and replace it with an appropriate fitting (supplied by end user).

WARNING



The gas ballast must be sealed whenever pumping any gas not intended to be vented to atmosphere.

Operation

Cleaning the Pump

Unlike conventional oil-sealed pumps, Agilent dry scroll pumps do not contain fluid for the cleansing of accumulated dust and debris. Run the pump periodically at atmosphere for a minute or two to flush it out. Until experience is gained on your specific process, flush the pump regularly and adjust this schedule according to your specific conditions.

Startup Procedure

1. Make sure that the pump is configured for the mains voltage to which the pump is connected.

NOTE



The pump ON/OFF switch is a rocker type switch that has symbols in accordance with IEC Publication 417 to represent the ON and OFF positions. Figure 7 shows a switch in the ON position.

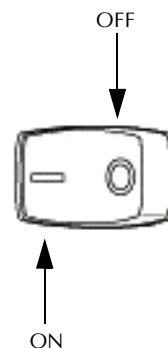


Figure 7 ON/OFF Power Switch

2. Switch the pump ON using the pump ON/OFF switch for AC versions. The 24 VDC pump switches on once the 24 VDC power is connected to the pump and is switched on.

Shutdown Procedure

To shutdown the pump:

- ❑ Switch the pump OFF for AC versions. For a DC version, switch off the 24 VDC power or disconnect the power cord.

IDP-3 Dry Scroll Vacuum Pump

IDP-3 Inlet Valve Kit

The IDP-3 scroll pump is provided with an exhaust valve to prevent rapid leak-up to atmosphere when turned off. However, any vacuum pump generates a small increase in inlet line pressure when turned off. A small amount of pump debris can be carried back into a vacuum line or chamber when the pump is turned off. For applications where the process is sensitive to pump debris, to prevent this, install a fast acting, automatic, normally closed valve. For your convenience, Agilent offers an optional inlet valve and operator kit for the IDP-3 (Figure 8).



Figure 8 IDP-3 with Inlet Valve

This kit includes upper and lower brackets, delay on made timer, solenoid valve with wire harness to the pump and a cooling fan, centering O-ring, quick clamp, nuts and screws for installation, a cord clamp, and a ¼" flexible screw driver.

- ❑ The opening of this valve occurs a minimum of 10 s after pump startup.
- ❑ Valve closing occurs ≤ 25 ms after pump shut off.

Model Selection

The inlet valve kit can be obtained separately for existing standard IDP-3 pumps. Refer to Table 5 for model selection, and "Installation" on page 13 for detailed procedures.

Table 5 Inlet Valve Kit Selection

| Part Number | Model | Input AC |
|--------------|---------|--------------------|
| VPI16IDP220 | IDP3A01 | 220-230 V 50/60 Hz |
| | IDP3A11 | |
| VPI16IDP115 | IDP3B01 | 115 V 60 Hz |
| | IDP3B11 | |
| VPI16IDP100 | IDP3C01 | 100 V 50/60 Hz |
| | IDP3C11 | |
| VPI16IDP24DC | IDP3D01 | 24 VDC |
| | IDP3D11 | |

It is strongly recommended to order the IDP-3 pump with the inlet valve factory-installed to prevent malfunctions due to incorrect installation (see Table 6).

Table 6 IDP-3 Model Numbers with Inlet Valve

| Part Number | Description | Input AC |
|-------------|---------------------------------|------------------|
| IDP3A21 | With inlet valve | 220-230V 50/60Hz |
| IDP3A31 | With hour meter and inlet valve | |
| IDP3B21 | With inlet valve | 115V 60Hz |
| IDP3B31 | With hour meter and inlet valve | |
| IDP3C21 | With inlet valve | 100V 50/60Hz |
| IDP3C31 | With hour meter and inlet valve | |
| IDP3D21 | With inlet valve | 24 VDC |
| IDP3D31 | With hour meter and inlet valve | |

IDP-3 Dry Scroll Vacuum Pump

The technical specification is shown in Table 7.

Table 7 Technical Specifications

| | |
|--|------------------------------------|
| Leak Rate: | |
| <input type="checkbox"/> Body | < 1×10^{-9} atm cc/sec He |
| <input type="checkbox"/> Seal | < 1×10^{-9} atm cc/sec He |
| Closing time (after solenoid valve power loss) | 25 ms |
| Closing burst | 0.01 torr-liter |
| Power | 7.7 W (AC), 9.5 W (DC) |
| Materials: | |
| <input type="checkbox"/> Body | Aluminum (6061-T6) |
| <input type="checkbox"/> Seal | Viton |
| Temperature Range: | |
| <input type="checkbox"/> Valve Body | 0~100 °C |
| <input type="checkbox"/> Solenoid | 0~50 °C |

Installation

AC

Mount the valve body on the pump inlet with centering ring and quick clamp provided in the pump package of IDP3A21/31 B21/31 or C21/31. Observe valve body orientation, otherwise the valve will not function properly (Figure 9).

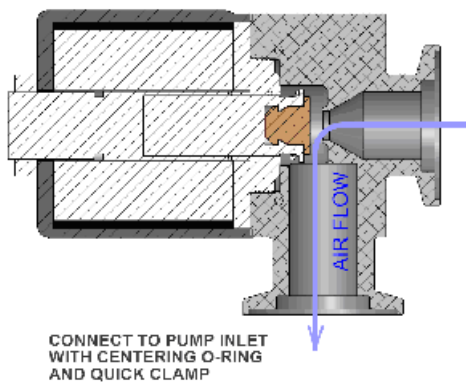


Figure 9 Mount Inlet Valve with IDP-3 Pump

NOTE

If VPI16IDP100, VPI16IDP115, or VPI16IDP220 is purchased separately from the IDP3 AC rev pump, follow the installation procedure in the IDP3 inlet valve kit instruction manual (PN# 699904370).



IDP-3 Dry Scroll Vacuum Pump

DC

24VDC inlet valve kit for IDP series (VPI16IDP24DC) is shown in Figure 10. It is included in the package if a pump with part number IDP3D21 or IDP3D31 is purchased. To install:

1. Plug the connector at the end of solenoid valve to the DC jacket on the rear cowling.
2. Follow the same instructions to mount the valve body to the pump inlet as AC rev.



Figure 10 24 VDC Rev Inlet Valve Kit

IDP-3 Dry Scroll Vacuum Pump

Troubleshooting

Use the Troubleshooting chart in Table 8 to assist in defining a problem, determining a possible cause, and defining action steps to remedy the situation.

Table 8 Troubleshooting Chart

| Problem | Possible Causes | Corrective Actions |
|--------------------------|--|--|
| Will not start | Motor thermal protector open | Allow motor to cool. Identify cause of overload. |
| | Excessive voltage drop | Check size and length of cable. |
| | Defective motor | Inspect. Contact Agilent . |
| Poor ultimate pressure | System leak | Locate and repair leak. |
| | Water in pump | Flush pump with air or dry nitrogen. |
| | Solvent in pump | Flush pump with air or dry nitrogen. Install trap or filter. |
| | Seals worn out | Replace tip seals. |
| | Poor conductance to pump | Replumb with shorter and/or larger diameter tubing. |
| Hammering noise | Pump overheated | Check ventilation to pump. Check ambient temperature. |
| | Debris in pump | Check intake screen. Flush pump. Disassemble pump and inspect. |
| Pump runs intermittently | Motor thermal protector is cycling open and closed.* | Allow the motor to cool. Identify the cause of the overload. |

* *The IDP-3 is equipped with an auto-reset thermal motor protector. This protector automatically shuts down the pump when it detects an overload condition, and automatically restarts the pump when the motor has cooled to within an acceptable temperature range.*

Maintenance

Kits and Service Options

Agilent pumps will provide many years of trouble-free service if the maintenance procedures and intervals are observed. Cleaning and tip seal replacement are recommended when pump base pressure has risen to an unacceptably high level for your application. If your pump exhibits humming or grinding noises from the bearings, a major overhaul should be done by Agilent personnel or an authorized rebuild center. Advance exchange pumps are available to minimize downtime.

The parts needed for tip seal replacement on the IDP-3 are available in the kit described in Table 9. This kit contains seals and O-rings, and can be obtained from your Agilent dealer.

Table 9 Tip Seal Replacement Kit

| Part Number | Description | Contents |
|-------------|--------------------------|---|
| IDP3TS | Replacement Tip Seal Set | Replacement Tip Seals and O-rings for IDP-3 pumps |

Cleaning

Exterior

The exterior surfaces of the IDP-3 may be cleaned with alcohol or mild detergents only.

Interior

Run the pump periodically at atmosphere for a minute or two to flush it out. For more information, see “Cleaning the Pump” on page 11.

Tip Seal Replacement

The parts and tools required to replace tip seals are listed below:

- Tip Seal Replacement Kit P/N IDP3TS
- 4 mm Allen wrench
- Razor blade or side-cutting pliers
- Compressed air (optional)

WARNING



If dangerous gases were being pumped, flush the pump with air or inert gas for at least 10 minutes prior to disassembly.

Figure 12 on page 18 shows the various components involved in a tip seal replacement procedure. Refer to Figure 12 as you follow the procedure.

To remove the worn tip seals:

1. Disconnect the pump from electrical power.
2. Remove (4) M5 socket head bolts (item 1).
3. Remove the front cowling and disconnect the electrical connector and set the cowling aside.
4. Remove (4) M5 bolts (item 4).
5. Remove the outboard housing axially off the frame (item 5).
6. Remove and discard the worn tip seals (item 6) and the main O-ring (item 7).
7. If compressed air is available, blow any remaining seal debris off the scroll parts. If seal debris is attached to the sides, use a razor or Exacto knife to scrape the debris off.

To install the new seals and O-rings:

1. Unpack the tip seals.
Two tip seals are provided in the kit; one fits the orbiting scroll and the other fits the outboard housing scroll.
2. Install the correct tip seal into the groove of the orbiting scroll (item 8) by:
 - a. Facing the cutting burrs on the edges of the seal upwards, inserting the tightly curled end into the center of the orbiting scroll, until the seal is well seated in the groove and the anchor inside the groove protrudes into the seal's side (Figure 11). The seal may need to be pushed firmly to sit well into the groove.
The seal is correctly installed when it sits in its entirety into the groove, sticking out just slightly over the top.

IDP-3 Dry Scroll Vacuum Pump

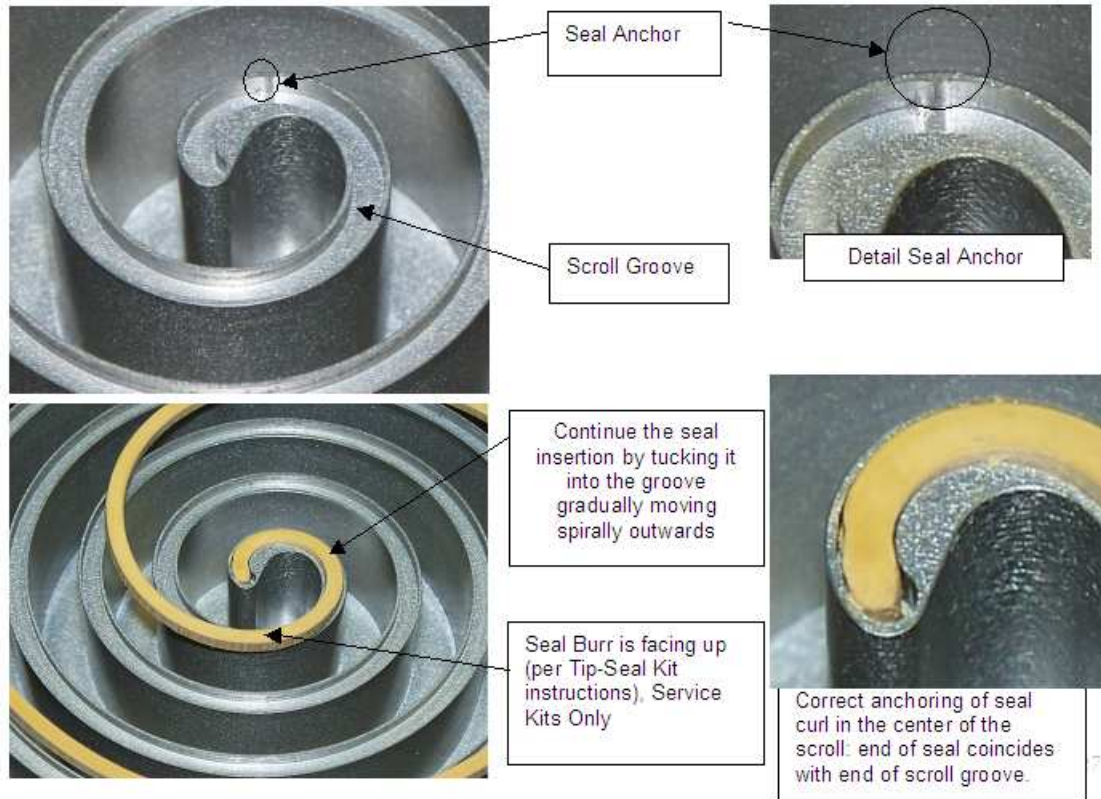


Figure 11 Tip Seal Seating

If the seal's curl seems to have lost some of its curl radius and does not fit into the center of the scroll, re-form the seal end using a pair of round nose pliers to make it fit into the groove. Tip-Seal kit instructions indicate which face should be up (valid for Service Kits only).

- b. Cutting the tip seal off about 1/8" (3 mm) from the outer end of the groove.
3. Install the correct tip seal into the groove of the outboard housing scroll (item 4) as in step 3.
4. Place the new main O-ring into the groove in the frame (item 10). Ensure that the groove is clean.
5. Ensure the sealing face of the outboard housing is clean. Carefully replace the outboard housing by lining up the locating pins. Ensure the tip seal has not fallen out of its groove.
6. Reinstall (4) M5 bolts (item 4) and torque the (4) M5 bolts to 5.6 N-m (50 in-lb).
7. Reconnect the electrical connector at the front cowling.
8. Place the front cowling in place and replace the M5 bolts.
9. Reconnect the pump to the electrical power mains.

IDP-3 Dry Scroll Vacuum Pump

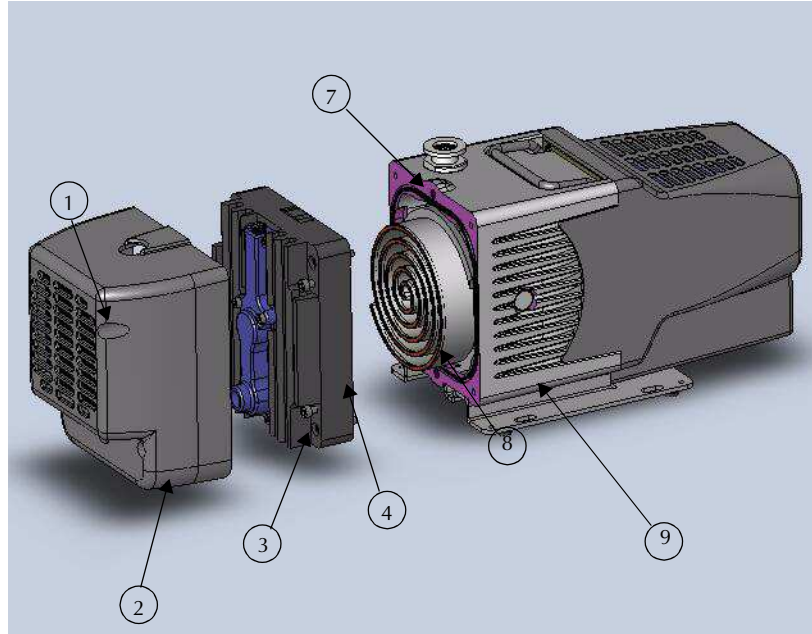


Figure 12 Exploded View of Pump Body

- | | |
|--------------------------------|---|
| 1. Front Cowling Bolts; M5 (4) | 2. Front Cowling |
| 3. Frame Bolts; M5 (4) | 4. Outboard Housing |
| 5. Tip Seals (Not shown) | 6. Main O-ring Parker No. 2-160 (Not shown) |
| 7. Locating Pins (2) | 8. Orbiting Scroll |
| 9. Frame | |

To test the pump:

1. Run the pump for about 5 seconds. Verify that the front fan is running.
If you hear loud noises or observe labored operation, this indicates that the tip seal or main O-ring are possibly out of place.
2. Disassemble and repair as necessary.
The pump is now ready to return to service.

NOTE



Newly installed tip seals may require several hours of run time to seat properly and enable the pump to meet speed and base pressure specifications.

6. Remove the fan cowling, disconnect the electrical

Pump Module Replacement

The parts and tools required to replace the pump module include:

- Replacement Module Kit P/N IDP3
- 4 mm Allen wrench

Figure 13 on page 19 shows the various components involved in pump module replacement.

To replace the pump module:

1. Disconnect the pump from electrical power and disconnect the power cord from the power cord socket.
2. Stand the pump on the fan cowling (cover the work surface to protect the pump finish).
3. Loosen the four M5 captive screws (item 1) that hold the motor cowling in place (item 2), but do not remove the motor cowling.
4. Stand the pump on the motor cowling (cover the work surface to protect the pump finish).
5. Remove the four M5 socket head screws (item 3) that secure the fan cowling (item 4).
connector, and set the cowling aside.

IDP-3 Dry Scroll Vacuum Pump

- Remove the four M5 socket head screws (item 5) that secure the base plate (item 6); remove the base plate, and set aside.
- Lay the pump on its side and slide the motor cowling off the pump. Disconnect the electrical connector and set the cowling aside.
- Remove the four M6 button head screws (item 7) that secure the motor to the pump module and set the motor aside.
- Install the new coupling spider (item 8) to the coupling (motor side or pump module side) and install the motor to the replacement pump module with the label facing up (in the same direction as the inlet flange of the pump module). Secure the motor with four M6 button head screws.
- Reconnect the electrical connector on the motor cowling to the motor.
- Tuck the electrical connector behind the aluminum plate mounted to the motor cowling (item 9) and slide the motor cowling into place.
- Holding the motor cowling in place, stand the pump on the end of the motor cowling with the exhaust fitting pointing up.
- Reinstall the base plate with four M5 socket head screws.
- Connect the electrical connector on the fan cowling to the wiring harness and reinstall the fan cowling with four M5 socket head screws.
- Holding the motor cowling in place, stand the pump on the fan cowling.
- Tighten the four M5 captive screws to secure the motor cowling.
- Reattach the power cord and confirm proper operation.

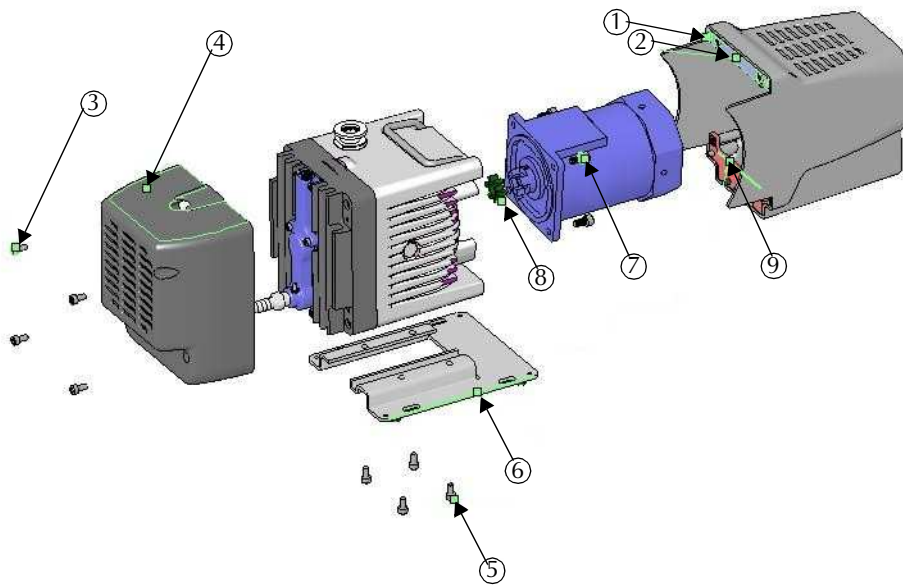


Figure 13 Module Replacement - Exploded View

IDP-3 Dry Scroll Vacuum Pump

This page intentionally left blank.

Vacuum Products Division Instructions for returning products

Dear Customer:

Please follow these instructions whenever one of our products needs to be returned.

- 1) Complete the attached Request for Return form and send it to Agilent Technologies (see below), taking particular care to identify all products that have pumped or been exposed to any toxic or hazardous materials.
- 2) After evaluating the information, Agilent Technologies will provide you with a Return Authorization (RA) number via email or fax, as requested.
Note: Depending on the type of return, a Purchase Order may be required at the time the Request for Return is submitted. We will quote any necessary services (evaluation, repair, special cleaning, eg).
- 3) **Important steps for the shipment of returning product:**
 - Remove all accessories from the core product (e.g. inlet screens, vent valves).
 - Prior to shipment, drain any oils or other liquids, purge or flush all gasses, and wipe off any excess residue.
 - If ordering an Advance Exchange product, **please use the packaging from the Advance Exchange to return the defective product.**
 - Seal the product in a plastic bag, and package product carefully to avoid damage in transit. You are responsible for loss or damage in transit.
 - Agilent Technologies is not responsible for returning customer provided packaging or containers.
 - **Clearly label package with RA number.** Using the shipping label provided will ensure the proper address and RA number are on the package. Packages shipped to Agilent without a RA clearly written on the outside cannot be accepted and will be returned.
- 4) Return only products for which the RA was issued.
- 5) **Product being returned under a RA must be received within 15 business days.**
- 6) **Ship to the location specified on the printable label, which will be sent, along with the RA number, as soon as we have received all of the required information.** Customer is responsible for freight charges on returning product.
- 7) Return shipments must comply with all applicable **Shipping Regulations** (IATA, DOT, etc.) and carrier requirements.

RETURN THE COMPLETED **REQUEST FOR RETURN** FORM TO YOUR NEAREST LOCATION:

EUROPE:
Fax: 00 39 011 9979 330
Fax Free: 00 800 345 345 00
Toll Free: 00 800 234 234 00
vpt-customer@agilent.com

NORTH AMERICA:
Fax: 1 781 860 9252
Toll Free: 800 882 7426, Option 3
vpl-ra@agilent.com

PACIFIC RIM:
please visit our website for individual
office information
<http://www.agilent.com>



Please read important policy information on Page 3 that applies to all returns.

1) CUSTOMER INFORMATION

| | | | |
|--------------------------------------|---------------|--|--|
| Company Name: | | Contact Name: | |
| Tel: | Email: | Fax: | |
| Customer Ship To: | | Customer Bill To: | |
| | | | |
| | | | |
| Europe only: VAT reg. Number: | | USA/Canada only: <input type="checkbox"/> Taxable <input type="checkbox"/> Non-taxable | |

2) PRODUCT IDENTIFICATION

| Product Description | Agilent P/N | Agilent S/N | Original Purchasing Reference |
|---------------------|-------------|-------------|-------------------------------|
| | | | |
| | | | |
| | | | |

3) TYPE OF RETURN (Choose one from each row and supply Purchase Order if requesting a billable service)

- 3A.** Non-Billable Billable **➔** New PO # (hard copy must be submitted with this form):
- 3B.** Exchange Repair Upgrade Consignment/Demo Calibration Evaluation Return for Credit

4) HEALTH and SAFETY CERTIFICATION

AGILENT TECHNOLOGIES CANNOT ACCEPT ANY PRODUCTS CONTAMINATED WITH BIOLOGICAL OR EXPLOSIVE HAZARDS, RADIOACTIVE MATERIAL, OR MERCURY AT ITS FACILITY.
Call Agilent Technologies to discuss alternatives if this requirement presents a problem.

The equipment listed above (check one):

HAS NOT pumped or been exposed to any toxic or hazardous materials. OR

HAS pumped or been exposed to the following toxic or hazardous materials. If this box is checked, the following information must also be filled out. Check boxes for all materials to which product(s) pumped or was exposed:

Toxic Corrosive Reactive Flammable Explosive Biological Radioactive

List all toxic/hazardous materials. Include product name, chemical name, and chemical symbol or formula:

NOTE: If a product is received at Agilent which is contaminated with a toxic or hazardous material that was not disclosed, **the customer will be held responsible** for all costs incurred to ensure the safe handling of the product, and **is liable** for any harm or injury to Agilent employees as well as to any third party occurring as a result of exposure to toxic or hazardous materials present in the product.

Print Name: _____ **Authorized Signature:** **Date:** _____

5) FAILURE INFORMATION:

| |
|--|
| Failure Mode (REQUIRED FIELD. See next page for suggestions of failure terms): |
| Detailed Description of Malfunction: (Please provide the error message) |
| Application (system and model): |

| | | |
|--|------------------------------------|--------------|
| I understand and agree to the terms of Section 6, Page 3/3. | | |
| Print Name: | Authorized Signature: | Date: |



**Vacuum Products Division
Request for Return Form
(Health and Safety Certification)**

Please use these Failure Mode to describe the concern about the product on Page 2.

TURBO PUMPS and TURBO CONTROLLERS

| APPARENT DEFECT/MALFUNCTION | POSITION | PARAMETERS |
|--|--|--|
| - Does not start - Does not spin freely - Does not reach full speed - Mechanical Contact - Cooling defective | - Noise - Vibrations - Leak - Overtemperature - Clogging | - Vertical - Horizontal - Upside-down - Other: Power: Rotational Speed: Current: Inlet Pressure: Temp 1: Foreline Pressure: Temp 2: Purge flow: OPERATING TIME: |

ION PUMPS/CONTROLLERS

| | |
|---|--|
| - Bad feedthrough - Vacuum leak - Error code on display | - Poor vacuum - High voltage problem - Other |
|---|--|

VALVES/COMPONENTS

| | |
|--|---|
| - Main seal leak - Solenoid failure - Damaged sealing area | - Bellows leak - Damaged flange - Other |
|--|---|

LEAK DETECTORS

| | |
|---|--|
| - Cannot calibrate - Vacuum system unstable - Failed to start | - No zero/high background - Cannot reach test mode - Other |
|---|--|

INSTRUMENTS

| | |
|--|---|
| - Gauge tube not working - Communication failure - Error code on display | - Display problem - Degas not working - Other |
|--|---|

SCROLL AND ROTARY VANE PUMPS

| | |
|---|--|
| - Pump doesn't start - Doesn't reach vacuum - Pump seized | - Noisy pump (describe) - Over temperature - Other |
|---|--|

DIFFUSION PUMPS

| | |
|---|--|
| - Heater failure - Doesn't reach vacuum - Vacuum leak | - Electrical problem - Cooling coil damage - Other |
|---|--|

Section 6) **ADDITIONAL TERMS**

Please read the terms and conditions below as they apply to all returns and are in addition to the Agilent Technologies Vacuum Product Division – Products and Services Terms of Sale.

- Customer is responsible for the freight charges for the returning product. Return shipments must comply with all applicable **Shipping Regulations** (IATA, DOT, etc.) and carrier requirements.
- Customers receiving an Advance Exchange product agree to return the defective, rebuildable part to Agilent Technologies **within 15 business days**. Failure to do so, or returning a non-rebuildable part (crashed), will result in an invoice for the non-returned/non-rebuildable part.
- Returns for credit toward the purchase of new or refurbished Products are subject to prior Agilent approval and may incur a restocking fee. Please reference the original purchase order number.
- Units returned for evaluation will be evaluated, and a quote for repair will be issued. If you choose to have the unit repaired, the cost of the evaluation will be deducted from the final repair pricing. A Purchase Order for the final repair price should be issued within 3 weeks of quotation date. Units without a Purchase Order for repair will be returned to the customer, and the evaluation fee will be invoiced.
- A Special Cleaning fee will apply to all exposed products per Section 4 of this document.
- If requesting a calibration service, units must be functionally capable of being calibrated.

IDP-3 Dry Scroll Vacuum Pump

This page intentionally left blank.

Agilent Technologies

Vacuum Product Division

United States & Canada

Agilent Technologies
Vacuum Products Division
121 Hartwell Avenue
Lexington, MA 02421 USA
Tel: +1 781 861 7200
Toll-Free: +1 800 882 7426
Fax: +1 871 860 5437

Benelux

Agilent Technologies
Vacuum Products Division
Herculesweg 8
4338 PL Middelburg
THE NETHERLANDS
Tel: +31 118 671570
Fax: +31 118 671569

China

Agilent Technologies
Vacuum Products Division
Room 1648
Central Tower South Wing
Beijing Junefield Plaza
No. 10 XuanWuMenWai Street
Beijing 100052 P.R. CHINA
Tel.: +86 (10) 6310 8550
Toll-Free: 800 820 6556
Fax: +86 (10) 6310 0141

France

Agilent Technologies
Vacuum Products Division
7 avenue des Tropiques
Z.A. de Courtaboeuf - B.P. 12
91941 Les Ulis cedex FRANCE
Tel.: +33 (0) 1 69 86 38 84
Fax: +33 (0) 1 69 86 29 88

Germany & Austria

Agilent Technologies
Vacuum Products Division
Alsfelder Strasse 6
Postfach 11 14 35
64289 Darmstadt GERMANY
Tel.: +49 (0) 6151 703 353
Fax: +49 (0) 6151 703 302

India

Agilent Technologies
Vacuum Product Division
205-A, "A" wing of Galleria,
2nd floor, Hiranandani Gardens,
Powai, Mumbai-400 076, India
Tel.: +91 22-2570 8595 / 8597
Fax: +91 22- 2570 8599

Italy

Agilent Technologies
Vacuum Products Division
via F.lli Varian 54
10040 Leini, (Torino) ITALY
Tel.: +39 011 997 9111
Toll-Free: 00 800 234 234 00
Fax: +39 011 997 9350

Japan

Agilent Technologies
Vacuum Products Division
Sumitomo Shibaura Building 4-16-36
8th Floor
4-16-36 Shibaura Minato-ku
Tokyo 108 JAPAN
Tel.: +81 3 5232 1253
Toll-Free: 0120 655 040
Fax: +81 3 5232 1710

Korea

Agilent Technologies
Vacuum Products Division
Shinsa 2nd Bldg. 2F 966-5
Daechi-dong
Kangnam-gu, Seoul
KOREA 135-280
Tel.: +82 2 3452 2452
Toll-Free: 080 222 2452
Fax: +82 2 3452 2451

Mexico

Agilent Technologies
Vacuum Products Division
Concepcion Beistegui No 109
Col Del Valle C.P. 03100
MEXICO, D.F.
Tel.: +52 5 523 9465
Fax: +52 5 523 9472

Southeast Asia

Agilent Technologies
Vacuum Products Division
South East Asia (SEA) - Alex Ho
H/P: +601 2213 1253
Fax: +603 6733 8121

Singapore

Agilent Technologies
Vacuum Products Division
Singapore
Unit 10-04 Helios
Biopolis @ one-north
11 Biopolis Way, 138667
Singapore
H/P: +65 92364988
Fax: +65 64789603

Taiwan

Agilent Technologies
Vacuum Products Division
14F-6, No. 77, Hsin Tai Wu Road,
Sec. 1
Hsi chih, Taipei Hsien, Taiwan,
R.O.C.
Tel.: +886 2 2698 9555
Toll Free: 0800 051 342
Fax: +886 2 2698 9678

UK & Ireland

Agilent Technologies
Vacuum Products Division
6 Mead Road
Oxford Industrial Park
Tel.: +44 (0) 1865 291570
Fax: +44 (0) 1865 291571



Agilent Technologies